



79-91001
aFe Power Terra Guard
Light Extension Brackets



Item	Description	P/N	Qty
1	Light Extension Bracket	05-61491	2
2	Screw, Btn Hd Socket: M10x1.5x30, S/S	03-50808	2
3	Washer, Flat M10: 20mm OD/ 10.5mm ID	03-50470	2
4	Nut, Flanged Nyloc: M10 x 1.5	03-50809	2



- Please read the entire instruction manual before proceeding.
- Ensure all components listed are present.
- For technical support please call 951-493-7185.
- Ensure you have all necessary tools before proceeding.
- Retain factory parts for future use.

Procedure:

Note: Our light extension brackets were designed for light mounts utilizing either M8 or M10 hardware. If your light pods use larger fasteners, you may drill a larger size hole at your discretion.

1. In the example below, these large lights are close to the bumper cover and need to be shifted forward. Each extension kit comes with a pair of brackets. For this example (2) kits are required to shift all four lights forward.

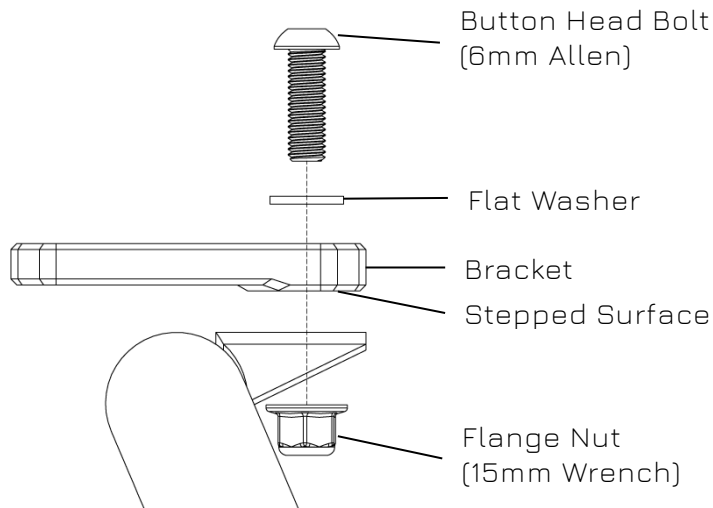


Choose the light you wish to reposition and unbolt it from the mount.





Using the aFe hardware provided, install the aFe extension bracket to the mount. Snug hardware, but do not fully tighten at this time. *(Note: The aFe extension bracket has a stepped surface on one side to allow the bracket to clear obstacles that may be above flush height)*



Next, mount the light onto the extension bracket using its original hardware. Snug hardware, but do not fully tighten at this time.





Position and angle the light. Once you are happy with the position. Fully tighten down the fasteners on the mount and light side. You are now finished with the installation.

