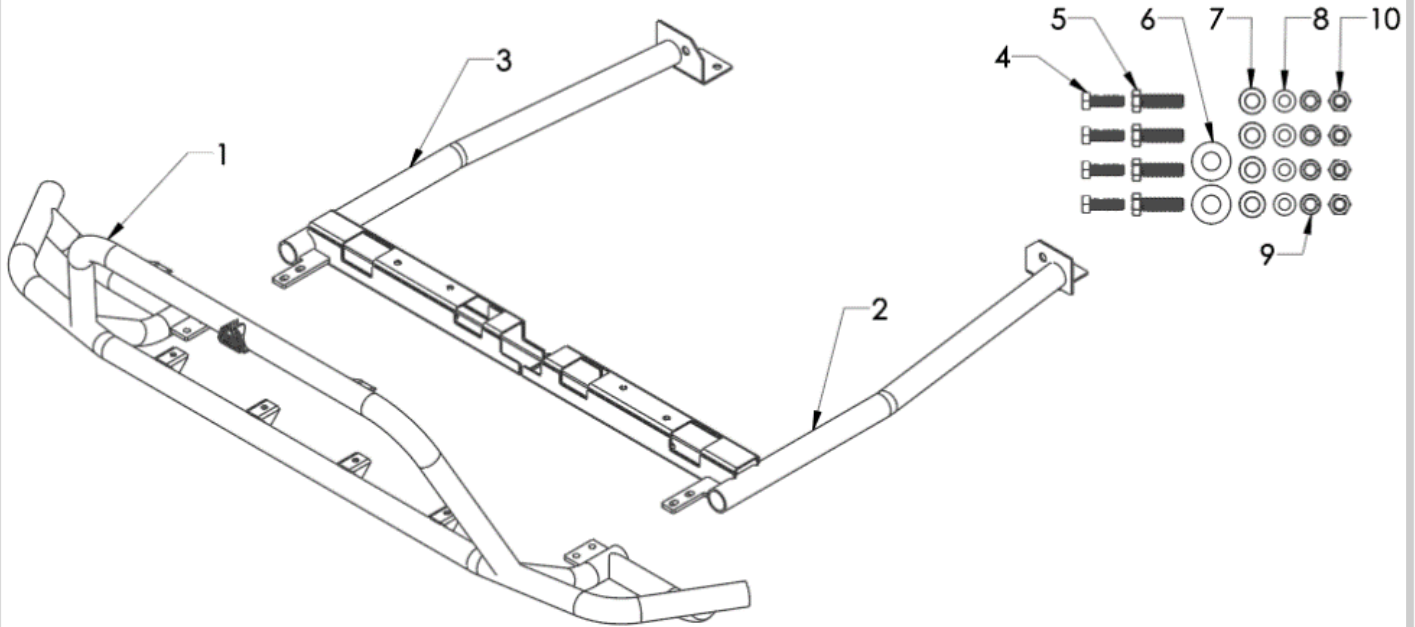




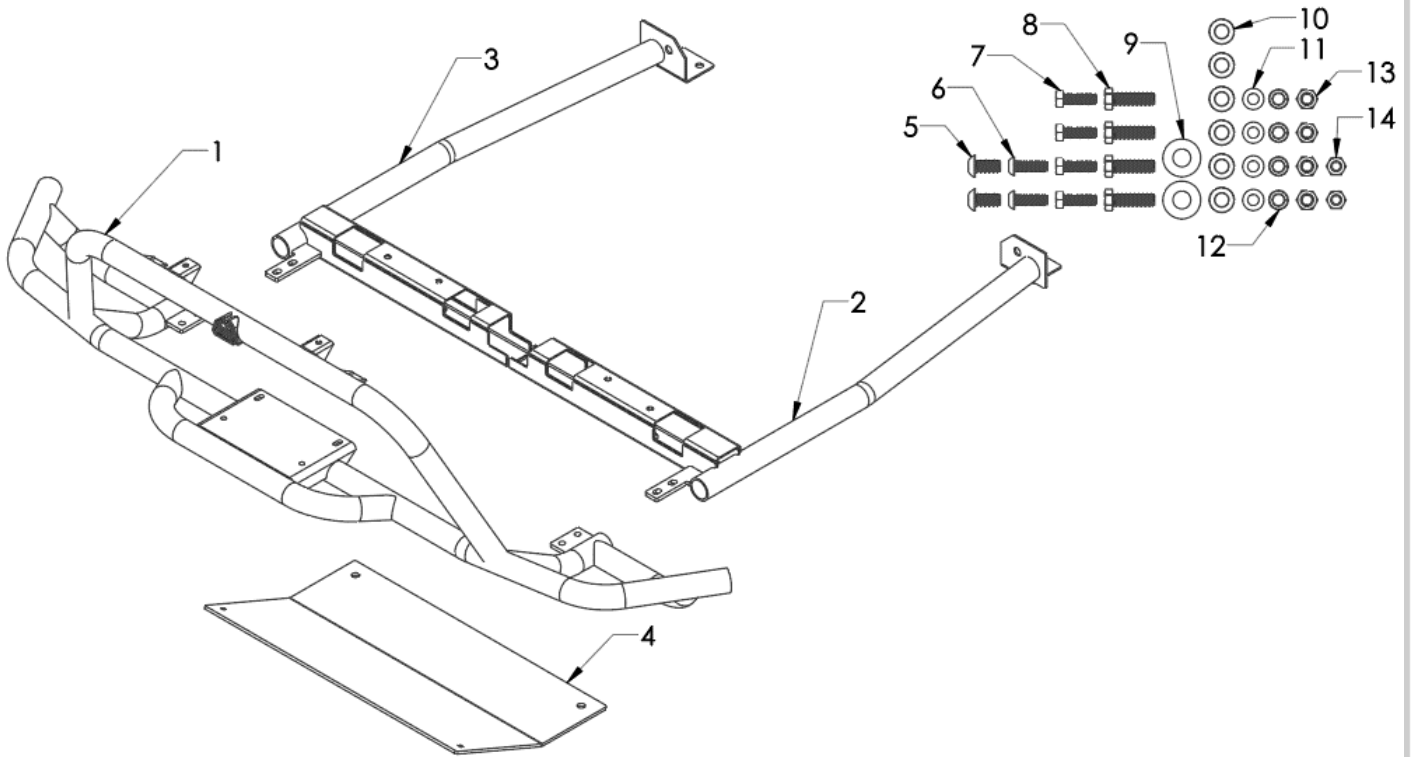
**79-27026**  
**aFe Power Terra Guard Bumper w/o Winch**  
**Subaru Outback 23-25 BT Platform**



Item	Description	P/N	Qty
1	OB Front Bumper Assembly	05-61677	1
2	Driver Side Bumper	05-61455	1
3	Passenger Side Bumper	05-61456	1
4	Screw, M8-1.25 x 25	03-50421	4
5	Screw, 3/8-16 x 1-1/4 Hex Flange Head	03-50427	4
6	Washer, 1-1/8 x 1/2 x 1/16	03-50477	2
7	Washer, 3/8" Flat	03-50230	4
8	Washer, M8 x 24mm OD Flat	03-50065	4
9	Washer, M8 Lock	03-50086	4
10	Nut, 3/8-16	03-50047	4



**79-27027**  
**aFe Power Terra Guard Bumper w/ Winch**  
**Subaru Outback 23-25 BT Platform**



Item	Description	P/N	Qty
1	OB Front Bumper Assembly	05-61678	1
2	Driver Side Bumper	05-61455	1
3	Passenger Side Bumper	05-61456	1
4	Skid Plate, 2022-2024 Subaru Outback	05-61375	1
5	Screw, 3/8-16 x 1-1/4" Button Head	03-50827	2
6	Screw, M8 x 25mm Button Head	03-50111	2
7	Screw, M8-1.25 x 25	03-50421	4
8	Screw, 3/8-16 x 1-1/4 Hex Flange Head	03-50427	4
9	Washer, 1-1/8 x 1/2 x 1/16	03-50477	2
10	Washer, 3/8" Flat	03-50230	6
11	Washer, M8 x 24mm OD Flat	03-50065	4
12	Washer, M8 Lock	03-50086	4
13	Nut, 3/8-16	03-50047	4
14	Nut, M8	03-50244	2



- Please read the entire instruction manual before proceeding.
- Ensure all components listed are present.
- For technical support please call 951-493-7185.
- Ensure you have all necessary tools before proceeding.
- Retain factory parts for future use.

### Recommended Tools & Equipment:

- Panel removal tool. Floor ramps or 4-post lift.

Warranty Information available at <https://afepower.com/contact#warranty>

### Procedure:

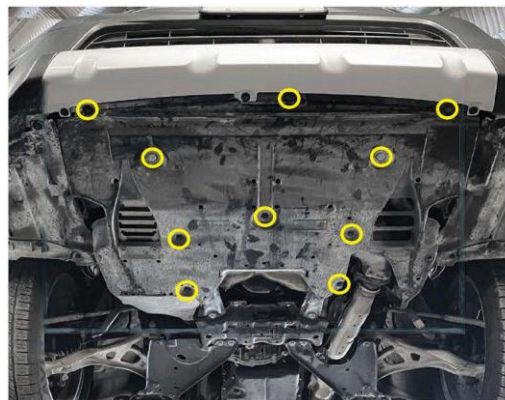
1. This installation can be done with the vehicle on the ground. But, for an easier installation, drive the vehicle onto floor ramps or 4-post rack.



2. Locate the front splash shield. Remove the (4) pop clips just behind the front wheels on the driver and passenger Side.

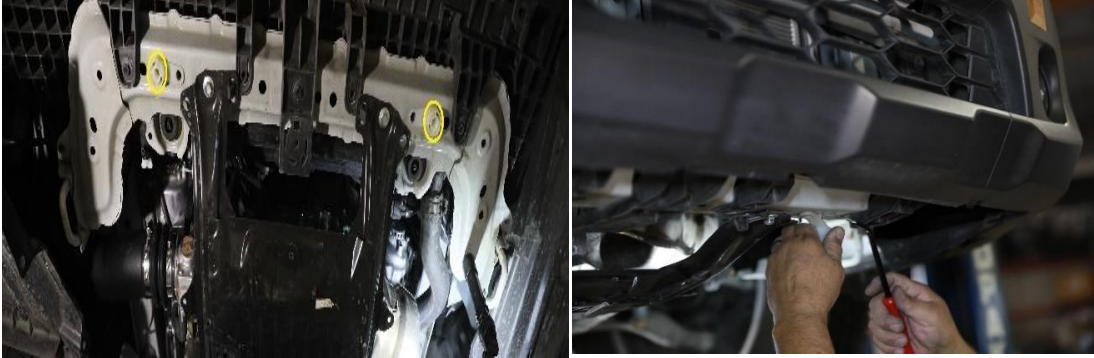


3. Remove the (8) pop clips & (2) bolts located on the underside of the front splash shield. Remove the front splash shield.

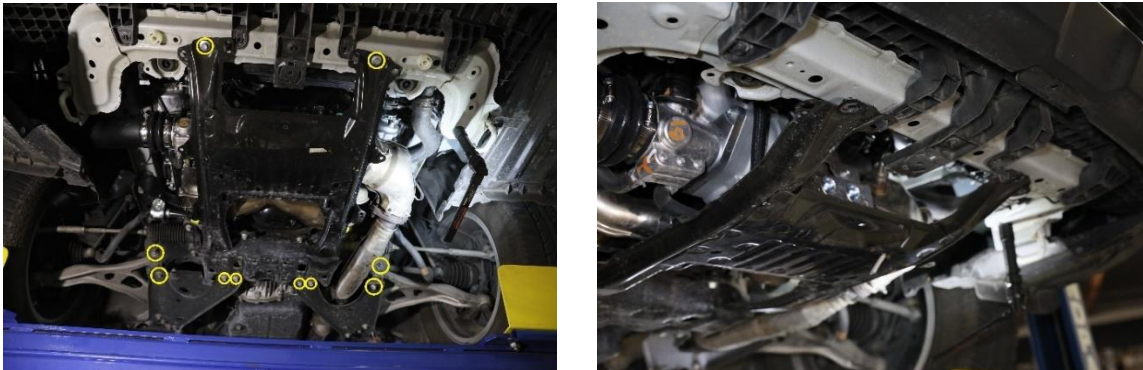




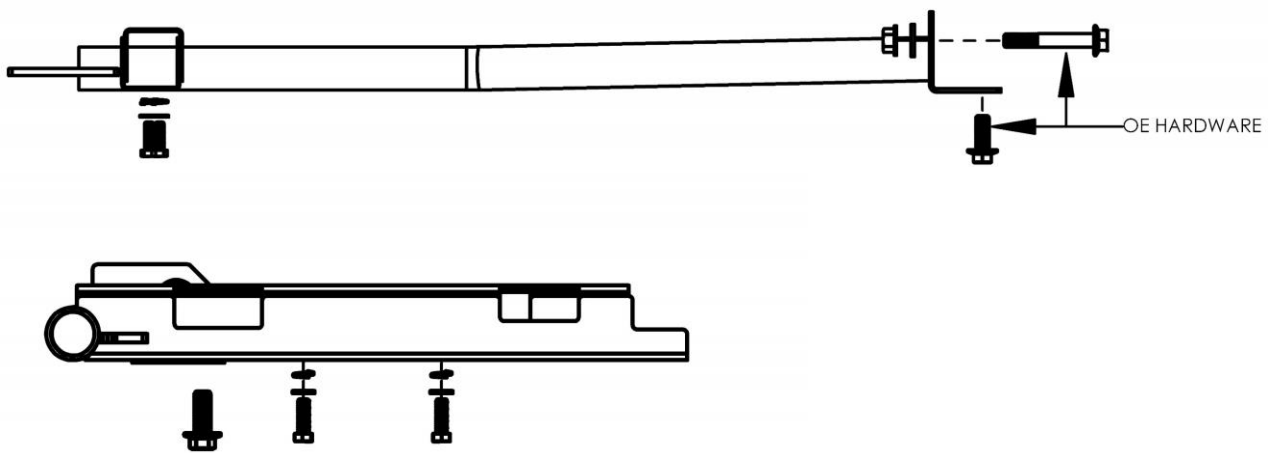
4. Use a panel removal pry tool to separate the (2) Plastic Spacer Mounts away from the Frame of the Vehicle. Plastic Spacer Mounts should be free from the car.



5. On the underside of the vehicle remove the (10) Bolts. Remove the front under guard from the vehicle.

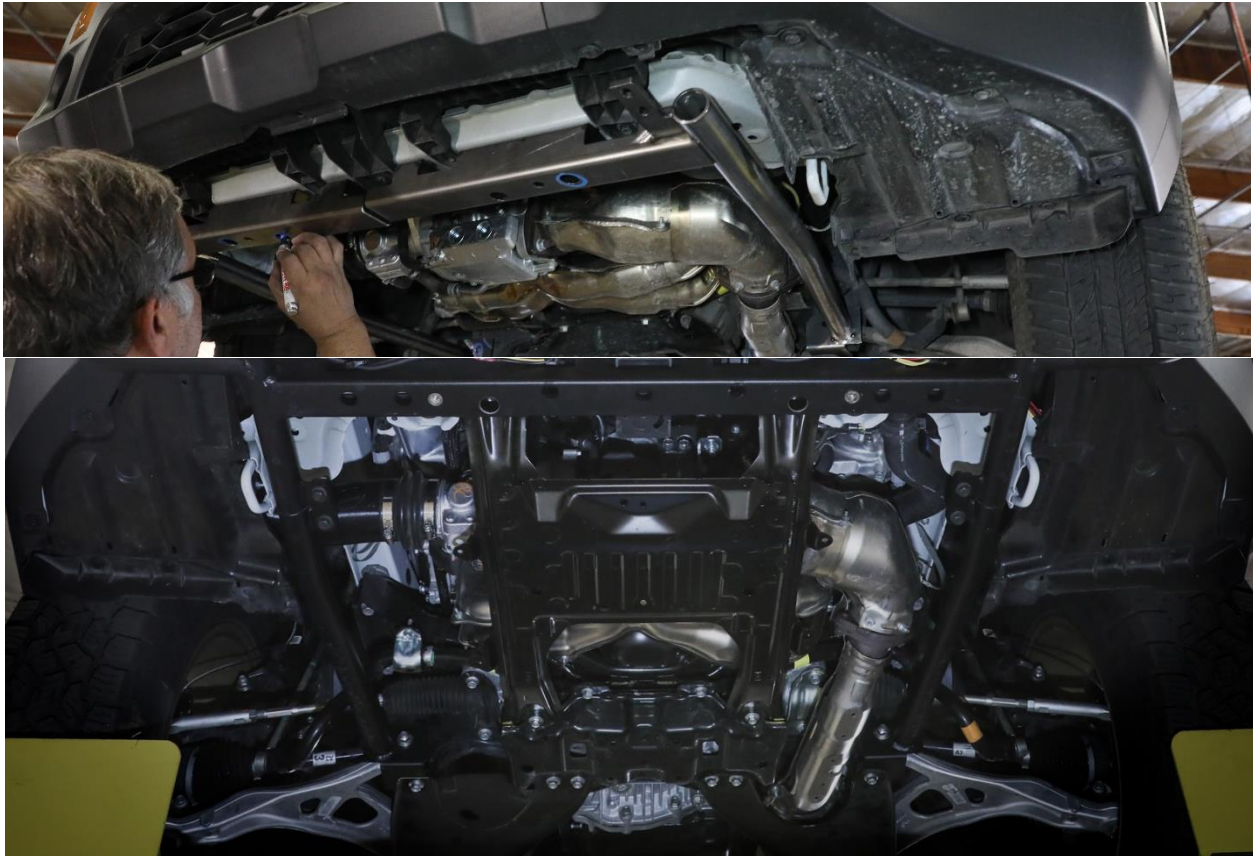
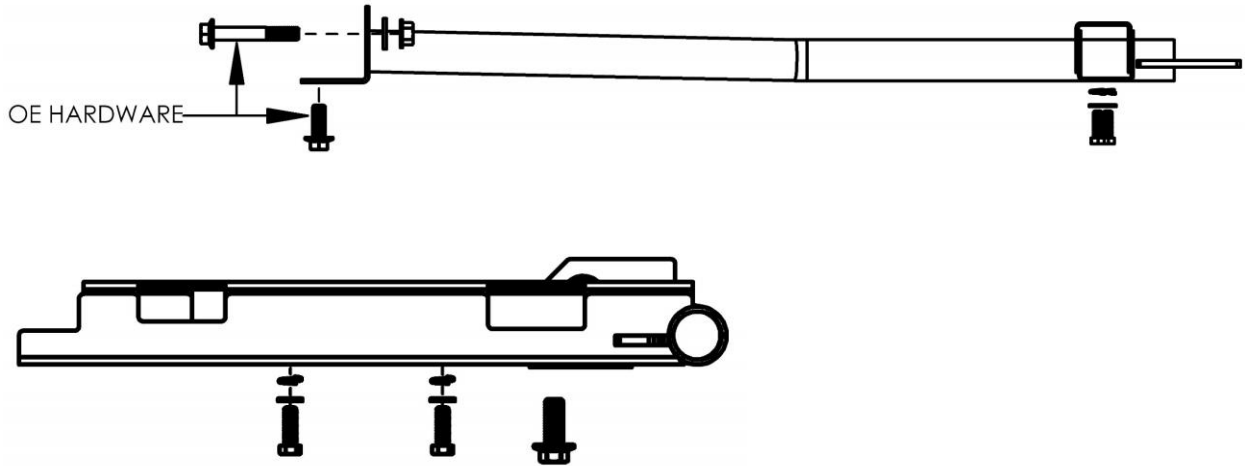


6. Install the Passenger Side Bumper using the (2) M8 Bolt, (2) M8 Flat Washer, (2) M8 Lock Washer, (1) 1-1/8" Washer, and (2) O.E. Bolts. Sandwich the Under Guard between the Frame and the Bumper When Tightening Down the Hardware.



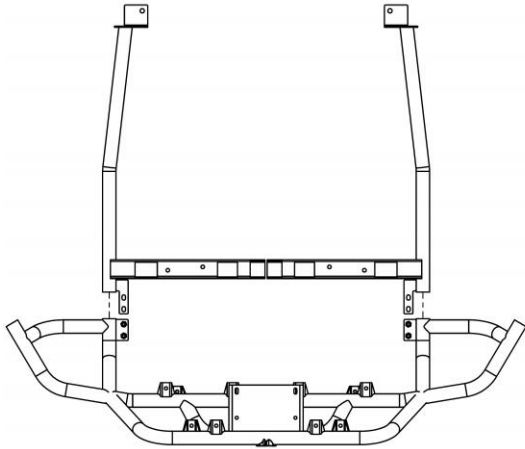
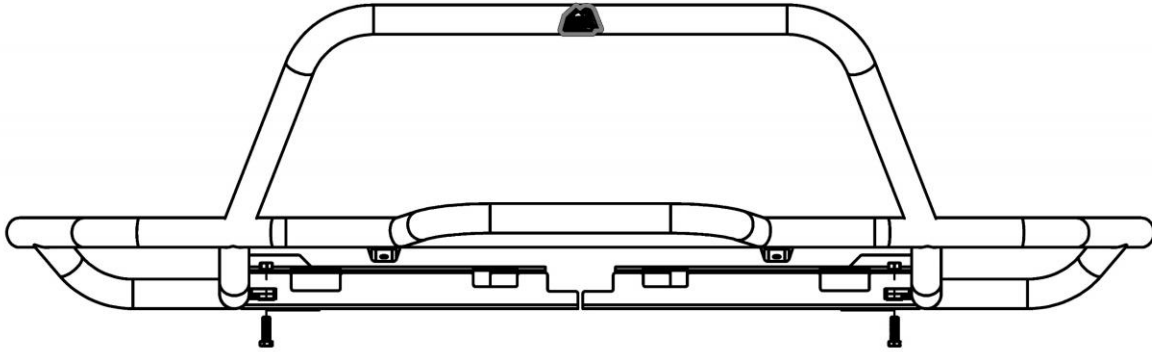


7. Install the Driver Side Bumper using the (2) M8 Bolt, (2) M8 Flat Washer, (2) M8 Lock Washer, (1) 1-1/8" Washer, and (2) O.E. Bolt. Sandwich the Under Guard between the Frame and the Bumper when tightening down the hardware.

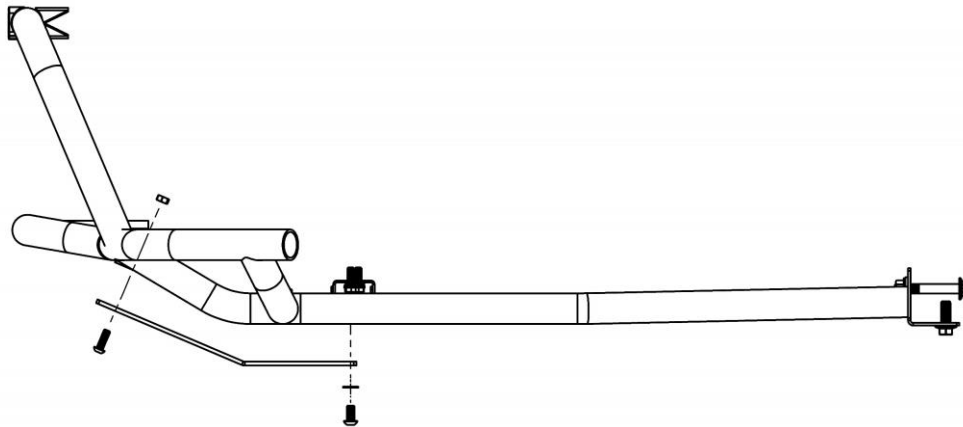




8. Install the Front Bumper into the Passenger/Driver Side Bumper using the (2) 3/8-16 Bolts, (2) 3/8-16 Nuts, & (2) 3/8-16 Washer.



9. If Installing 79-27009 the installation is complete. If installing 79-27012 with the winch proceed to install the Skid Plate using the (2) 3/8-16 Bolts, (2) 3/8 Washer, (2) M8 Bolts, & (2) M8 Nuts.







*advanced FLOW engineering, inc.*