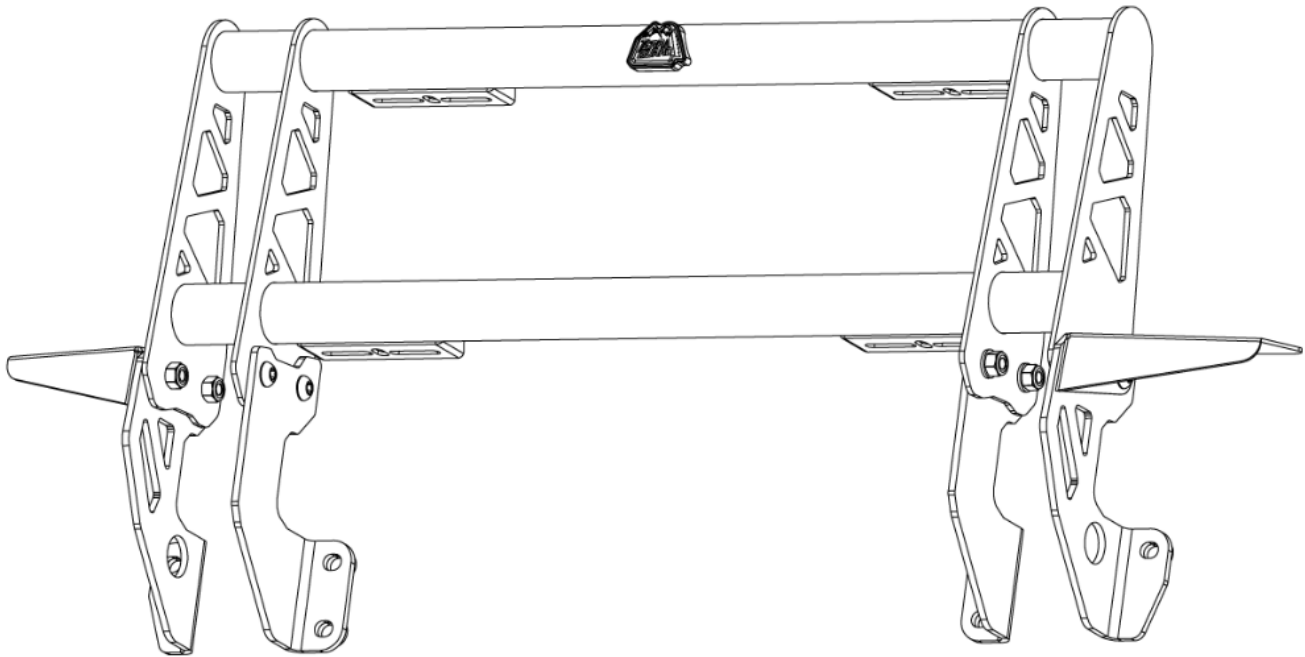




79-27023
aFe Power Terra Guard Bull Bar
6th Gen Ford Bronco (U725)

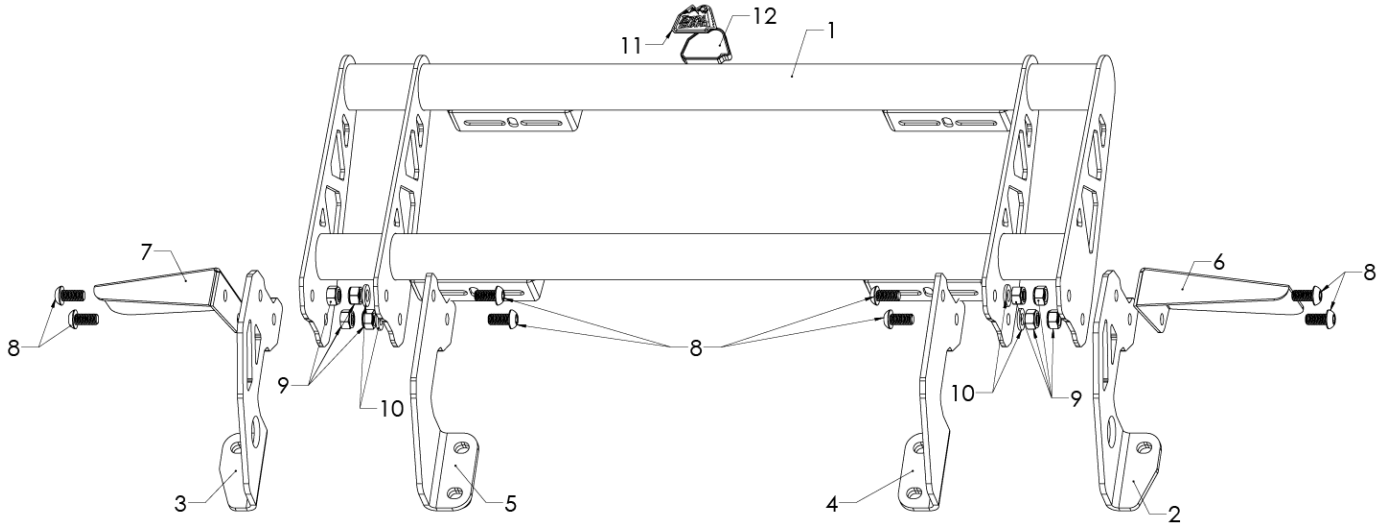


Special Note:

- **THIS ITEM FITS MODULAR FRONT BUMPERS ONLY**
- **YOU MAY NEED TO DISABLE YOUR FRONT PARKING SENSORS WHEN USING THIS BULL BAR.**



Parts List:



Item	Description	P/N	Qty
1	Bull Bar, Assembly: Bronco	05-61651	1
2	Bracket, LH Outer, Bull Bar: Bronco	05-61642	1
3	Bracket, RH Outer, Bull Bar: Bronco	05-61643	1
4	Bracket, LH Inner, Bull Bar: Bronco	05-61644	1
5	Bracket, RH Inner, Bull Bar: Bronco	05-61645	1
6	Bracket, LH Wing, Bull Bar: Bronco	05-61649	1
7	Bracket, RH Wing, Bull Bar: Bronco	05-61650	1
8	Screw, Btn Hd: M12x1.75x 25mm S/S Black	03-50813	8
9	Nut, Nylock: M12x1.75 SS Black	03-50814	8
10	Washer, Flat M12 SS Black	03-50815	4
11	Emblem, Terra Guard: 304SS (0.5mm 3M)	06-00238	1
12	Base, 2" OD, Terra Guard Badge	05-01791	1



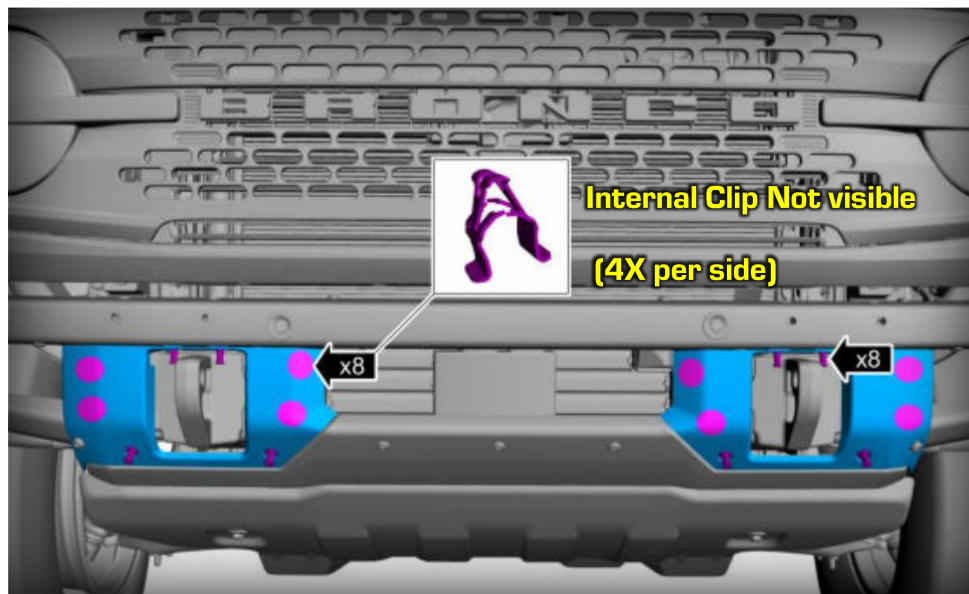
- Please read the entire instruction manual before proceeding.
- Ensure all components listed are present.
- For technical support please call 951-493-7185.
- Ensure you have all necessary tools before proceeding.
- Retain factory parts for future use.

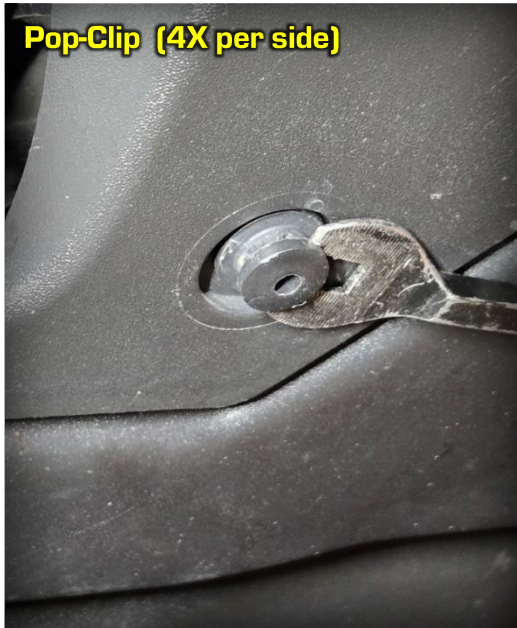
Procedure:

1. This installation can be done with the vehicle on the ground. But, for an easier installation, use a vehicle lift.

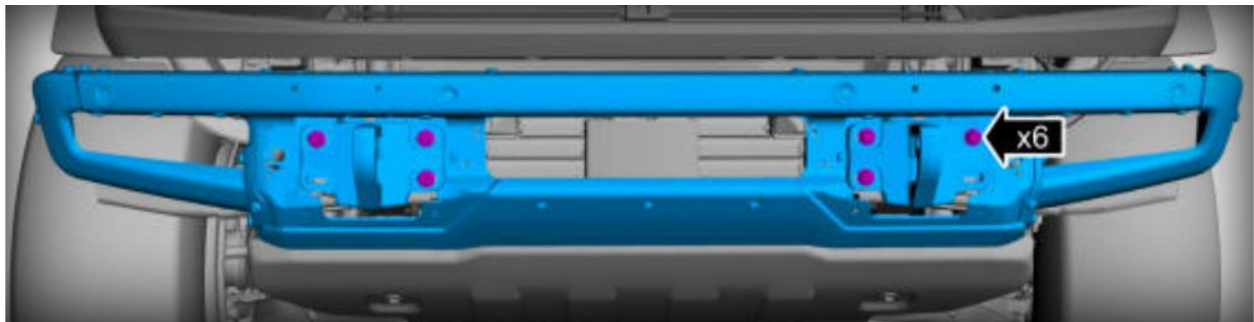


2. Pop off the plastic covers that surround the factory tow hooks. There are (4) pop-clips and internal clips that hold it in place. Once the pop-clips are removed, grab the inner edge of the cover and pull away from the vehicle. Once half of the clips release, you can grab the rest of the cover to pull away.



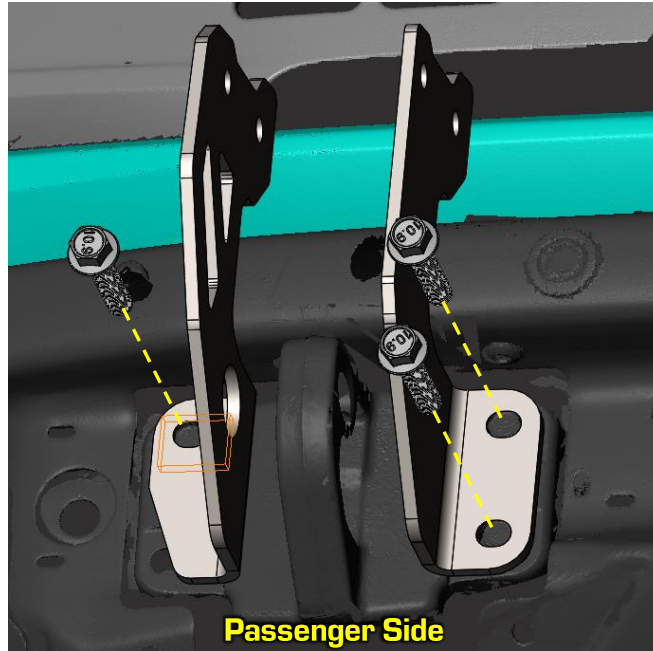


3. With the covers removed, you'll see three mounting bolts securing each tow hook bracket. Unbolt the (3) bolts using a 15mm socket. The tow hook bracket should stay in place even with the bolts removed. **Note: It's easier to tackle one tow hook bracket at a time to keep the bumper supported, therefore do not unbolt both tow hook brackets at the same time.**





4. Install the aFe mounting brackets over top of the tow hook bracket using the factory bolts. Snugly tighten these bolts. Do not fully tighten at this time.



5. Loop the plastic cover the aFe brackets but do not snap into place yet.

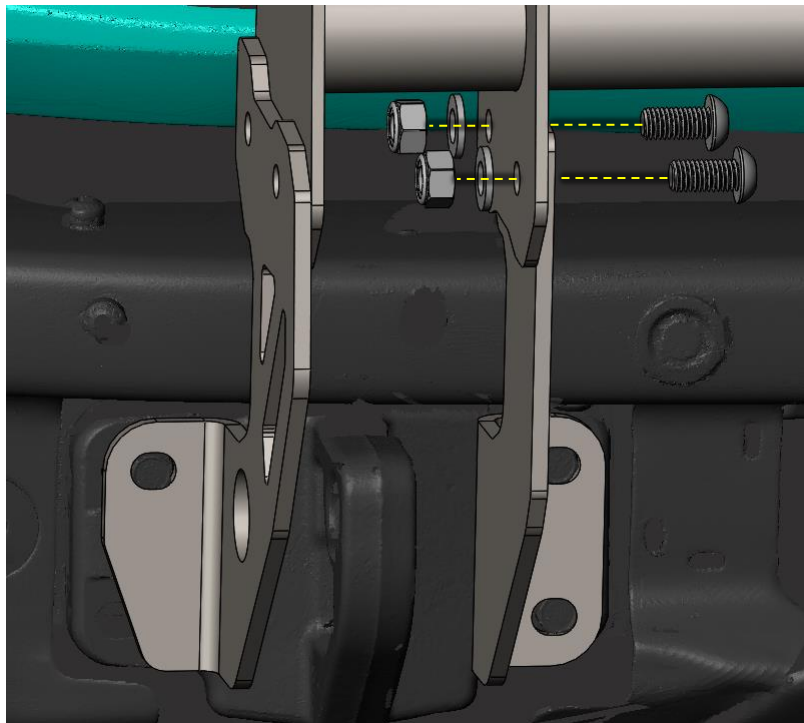




6. Grab a friend and have them hold the main bull bar assembly in place. For orientation reference, the light brackets should be pointing towards the grill.

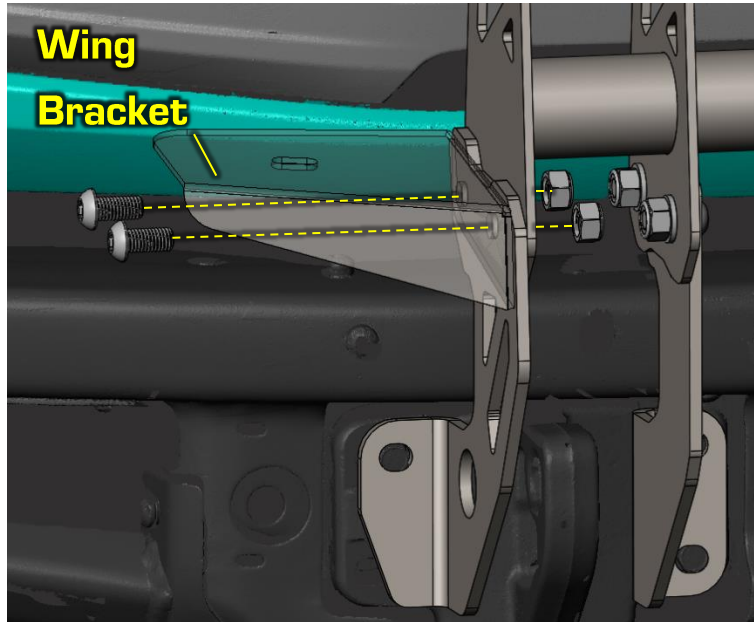


Install the provided button head bolts on the inner brackets with the bolts going from the inside pointing out. (TIP: If you are installing this by yourself, add a bolt to the front hole of one side and a bolt to the rear hole of the other side. This will keep the assembly from rotating while you gather the other bolts.) Install a washer and a nylock nut. Leave these finger tight for now.

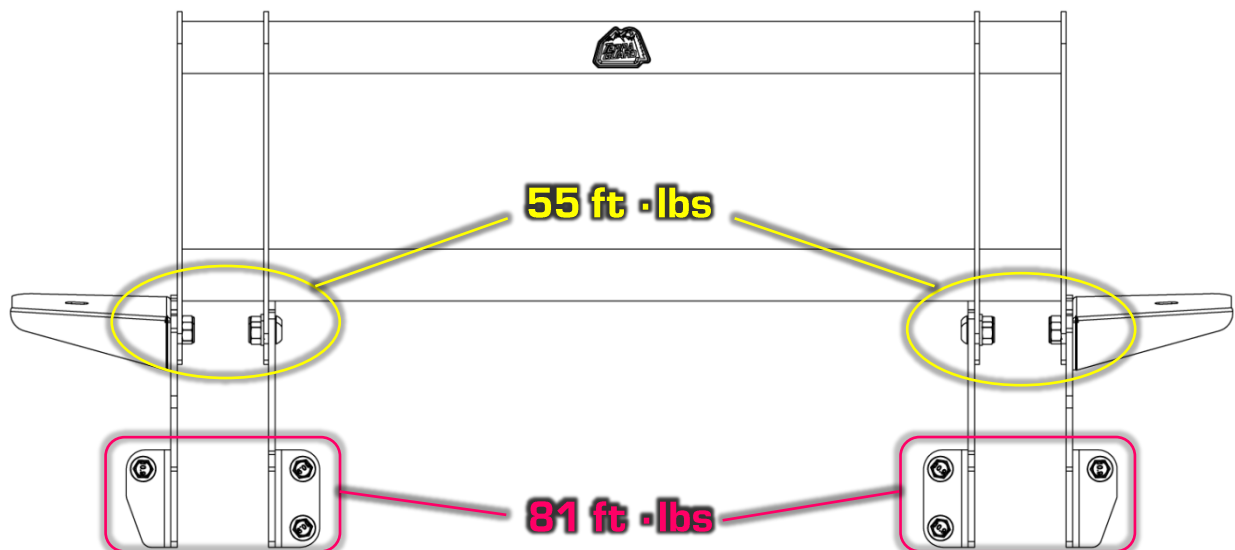




7. Install the rest of the button head bolts on the outer brackets but have them point inward. When installing the outer bolts, add the wing brackets and clamp down with the nylock nut. (no washer on these)



8. Once all of the hardware is installed, begin fully tightening the factory tow hook brackets to 81 ft·lbs. Next tighten the upper button-head bolts/nylock nuts to 55 ft·lbs.



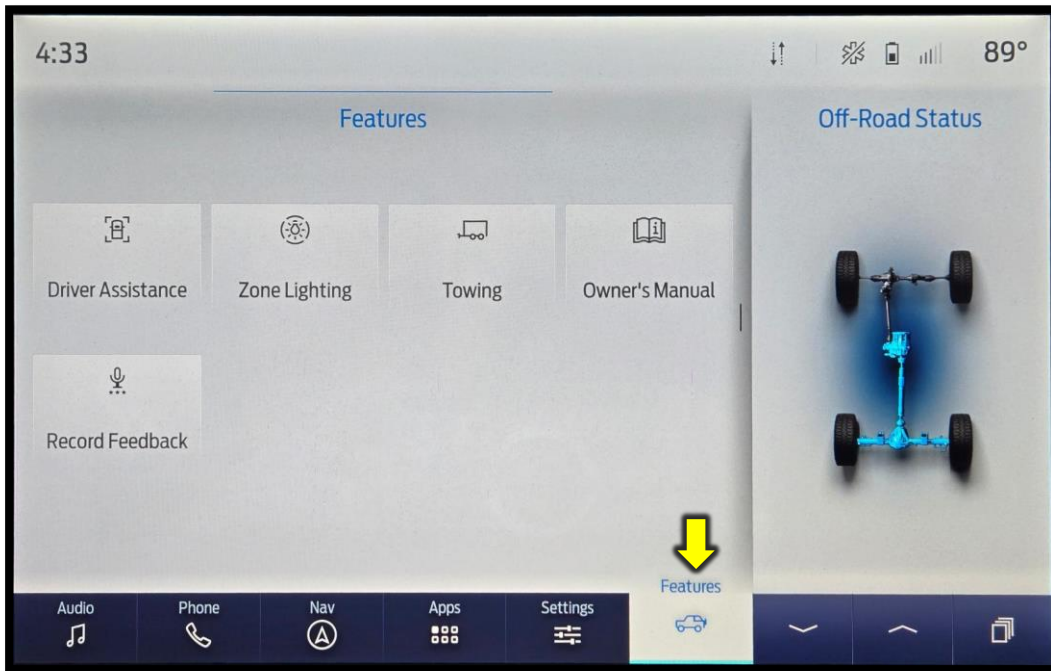
9. Position the plastic covers over the tow hook brackets and snap into place. Reinstall just the (2) lower pop-clips for each cover.



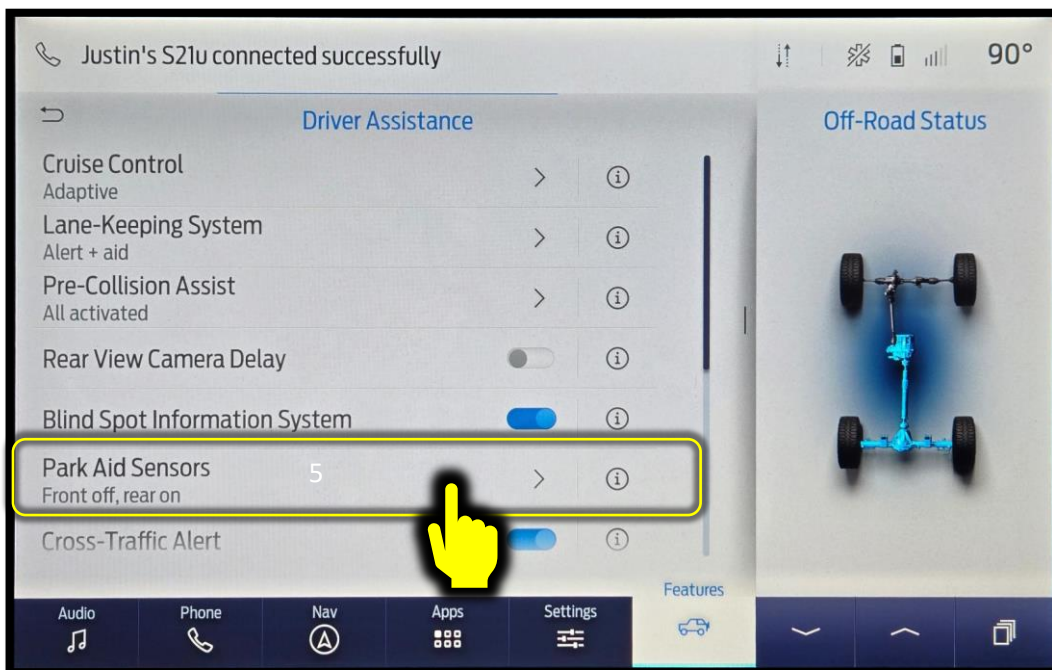
10. **Parking Sensors:**

You may experience your front parking sensors falsely triggering due to the bull bar, you can easily toggle the front parking sensors off.

On your infotainment screen, press the "Features" tab.

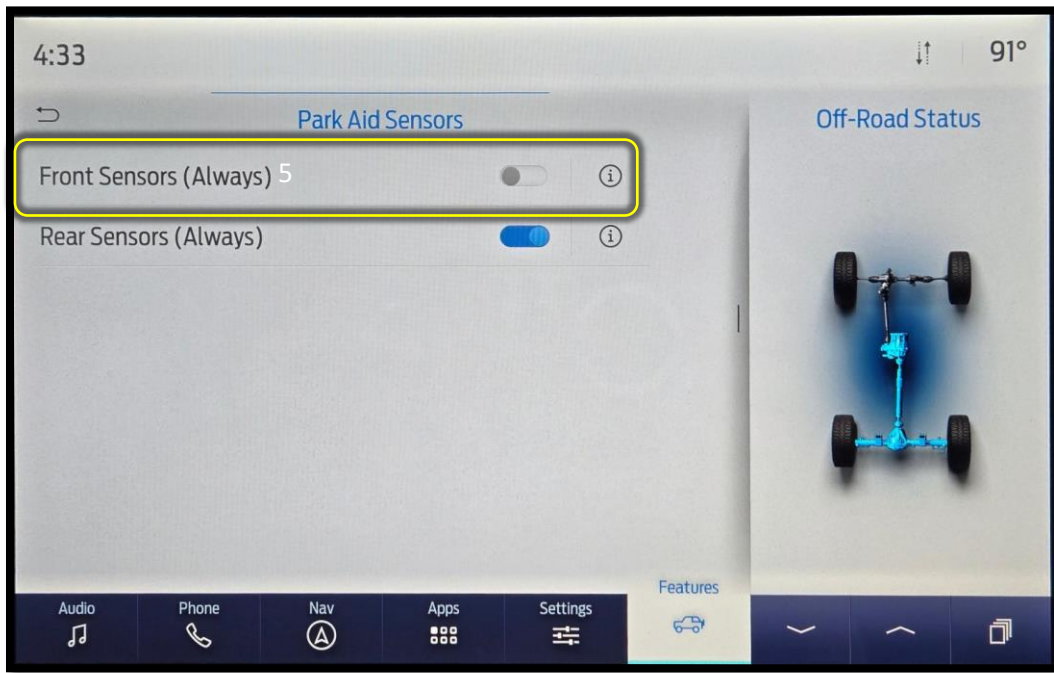


Next, press the "Park Aid Sensors" option.



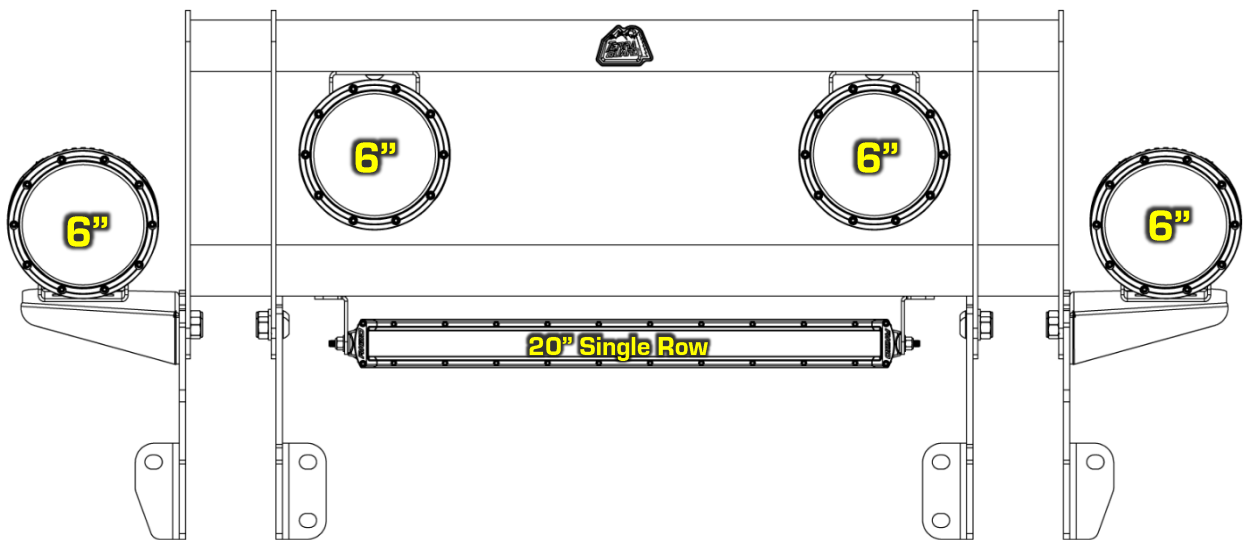


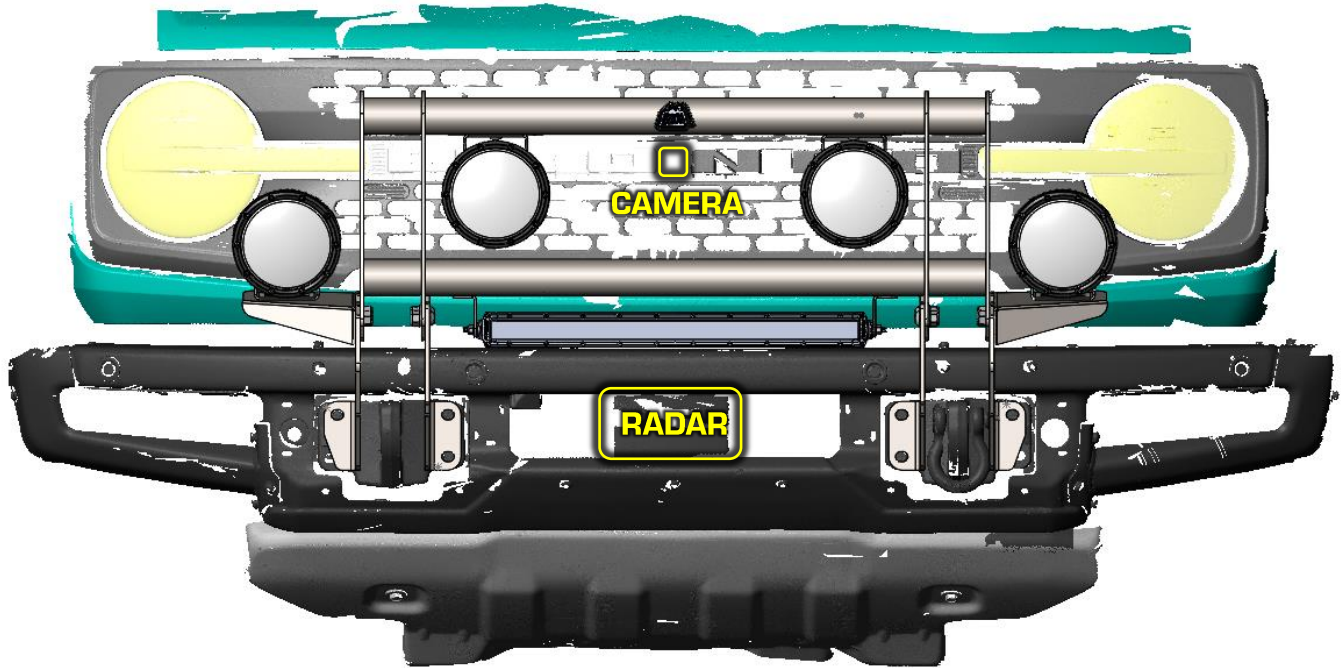
Toggle the front parking sensors off.



11. Lighting:

Refer to your specific light manufacturer installation instructions when installing light pods and light bars. Recommended setup below shows (4) 6" light pods and (1) 20" single row light bar. When mounting lights make sure they do not block the radar sensor





Additional L-brackets, extension brackets or custom brackets may be needed to mount your lights properly.



aFe Extension Brackets

P/N: 79-91001

(Sold Separately)





Left Intentionally Blank



advanced FLOW engineering, inc.