

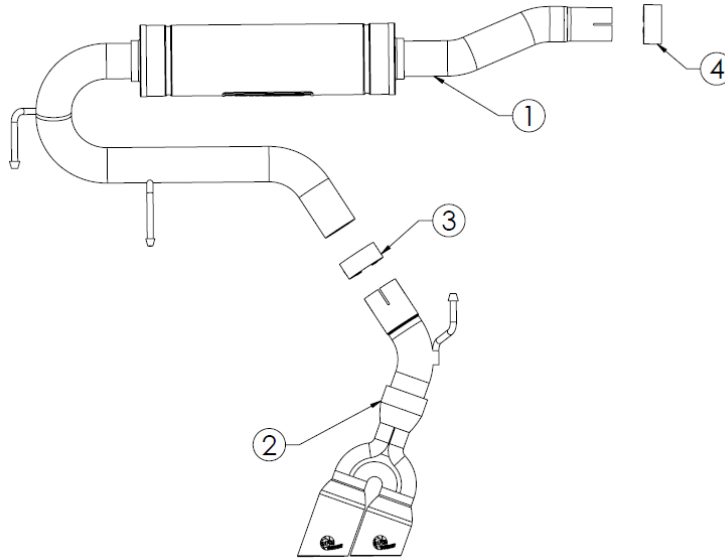


INSTALLATION INSTRUCTIONS

MAKE: Ford
MODEL: Maverick
YEAR: 2022-2026
ENGINE: L4-2.5L Hybrid

Cat-Back Exhaust
 49-33155-B (Black Tip)
 49-33155-P (Polished Tip)

Fitment Note:
 Does not fit AWD models. May not fit with side steps.



Item	Description	Part Number	Quantity
1	Muffler Assembly	05-245673	1
2	Tail Pipe with black tip	05-245366B	1
	Tail Pipe with polished tip	05-245366P	1
3	Clamp, Band: 2-1/2"	05-41061	1
4	Clamp, Band: 2-1/4"	05-41210	1

aFe POWER recommends professional installation on this product. Thoroughly inspect the aFe POWER exhaust system to make sure there is no damage from shipping (if damage is noted, immediately contact aFe POWER customer service). Allow time for your vehicle to cool down prior to installation. When working on your vehicle proceed with caution. Wear protective safety equipment; eye goggles and gloves to ensure a safe installation.

Install band clamps to proper torque specifications of 40-45 ft-lb.





INSTALLATION INSTRUCTIONS

MAKE: Ford
MODEL: Maverick
YEAR: 2022-2026
ENGINE: L4-2.5L Hybrid

Cat-Back Exhaust
49-33155-B (Black Tip)
49-33155-P (Polished Tip)

Fitment Note:
Does not fit AWD models. May not fit with side steps.

1. **(Read instructions prior to installation.)** It is recommended to not fully tighten the exhaust until it has been fully installed. Leave loose for adjustability.
2. Secure vehicle on jack stands (refer to your manual for specified jack stand positions).
3. For faster installation, spread out the parts of the exhaust alongside your vehicle as shown in the diagram above.
4. Secure the stock exhaust with jack/stands.
5. Cut the Stock Exhaust 2" from the first bend before the stock muffler as shown in pictures (please note pictures are on the opposite sides of the tube).



6. Slide the hangers holding the O.E. Exhaust System from the Rubber Isolator Mounts. Remove the O.E. Exhaust System from the vehicle
7. Install aFe Power Muffler assembly using the provided 2 1/4" Band Clamp, then install the 2 hanger into the rubber isolation mount.
8. Slide the aFe Power Tail Pipe into the aFe Power Muffler Assembly and secure with the provided 2.5" Band Clamp. Install Hanger into Rubber Isolator Mount.
9. Ensure that all the components of the aFe POWER exhaust system are aligned and are at a safe clearance from all wires, hoses, brake lines, body parts, and tires.
10. Start from the front of the aFe exhaust system and evenly tighten all clamps and fasteners.
11. Start the vehicle and check for any leaks. If any leaks are found, determine cause and repair as necessary.
12. Remove vehicle from jacks stands.
13. It is recommended to re-tighten all clamps and hardware after 50-100 miles.