

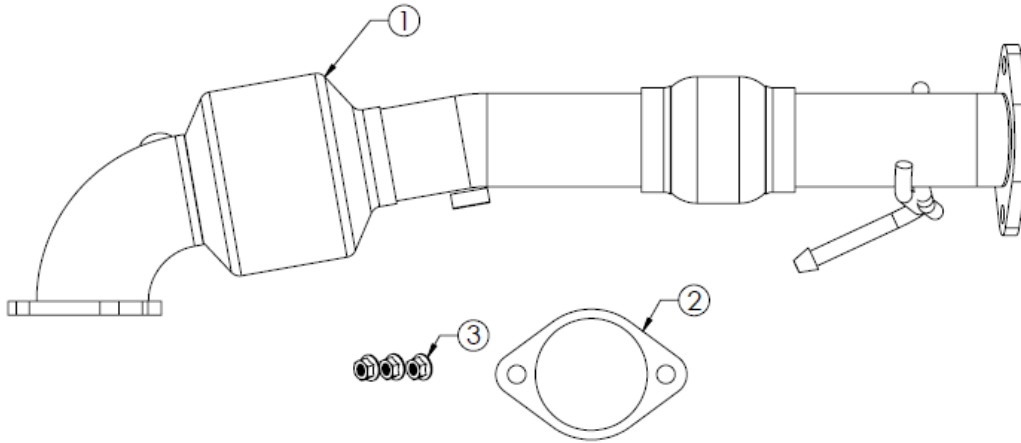


INSTALLATION INSTRUCTIONS

CAT Direct Fit

MAKE: Hyundai
MODEL: Elantra/Elantra GT/ I30
YEAR: 2017-2019
ENGINE: L4-1.6L(t)

47-47005



Item	Description	Part Number	Quantity
1	Direct fit Catalytic Converter	05-245686	1
2	Nut, M8-1.25 K-Nut	03-50598	3
3	Gasket, Exhaust 2-Bolt	05-46300	1

aFe POWER recommends professional installation on this product. Thoroughly inspect the aFe POWER exhaust system to make sure there is no damage from shipping (if damage is noted, immediately contact aFe POWER customer service). Allow time for your vehicle to cool down prior to installation. When working on your vehicle proceed with caution. Wear protective safety equipment; eye goggles and gloves to ensure a safe installation.

Install band clamps to proper torque specifications of 40-45 ft-lb.





INSTALLATION INSTRUCTIONS

CAT Direct Fit

MAKE: Hyundai
MODEL: Elantra/Elantra GT/ I30
YEAR: 2017-2019
ENGINE: L4-1.6L(t)

47-47005

1. **(Read instructions prior to installation.)** It is recommended not to fully tighten the exhaust until it has been fully installed. Leave loose for adjustability.
2. Secure vehicle on jack stands (refer to your manual for specified jack stand positions).
3. Remove the stock Exhaust up to the Stock down Pipe. Then remove the engine under tray in the front of the vehicle.
4. Remove the Intake Tube and then unplug the O2 sensors from the wire harness and unclip them from their brackets.
5. Label O2 sensors so you can put them back properly later.
6. Remove the Heat shields and 2 brackets on the back of the motor to expose the 3 nuts to the turbo flange and then remove the stock downpipe.
7. Install the O2 sensors into aFe power down pipe and install down pipe using the stock gasket and provided nuts.
8. Plug in O2 sensors and re-Install heat shields, brackets and Intake tube.
9. Re-Install front engine under tray.
10. Install the stock cat back or aFe power exhaust using the provided gasket.
11. Remove vehicles from jacks stands.
12. It is recommended to re-tighten all clamps and hardware after 50-100 miles.