



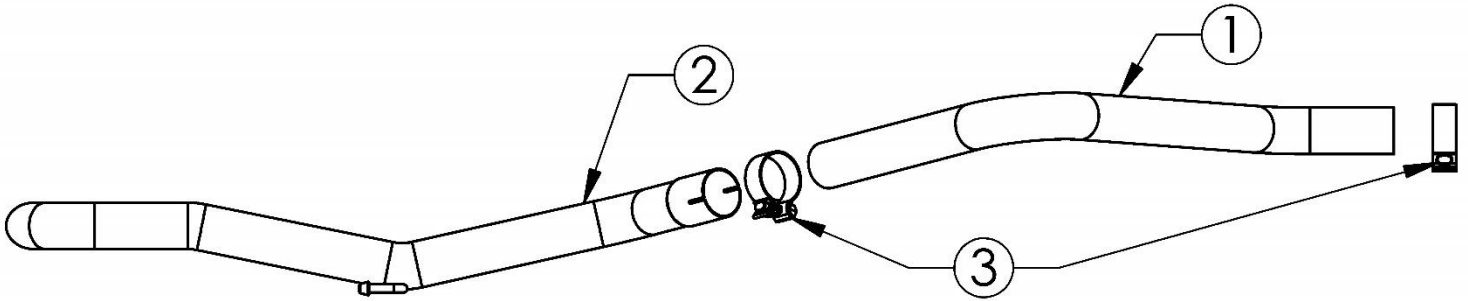
INSTALLATION INSTRUCTIONS

Exhaust Tailpipe Upgrade

MAKE: Toyota
MODEL: Tacoma
YEAR: 16-23
ENGINE: V6-3.5L/L4-2.7L

49C46065

NOTE: Only Compatible With 49-46046

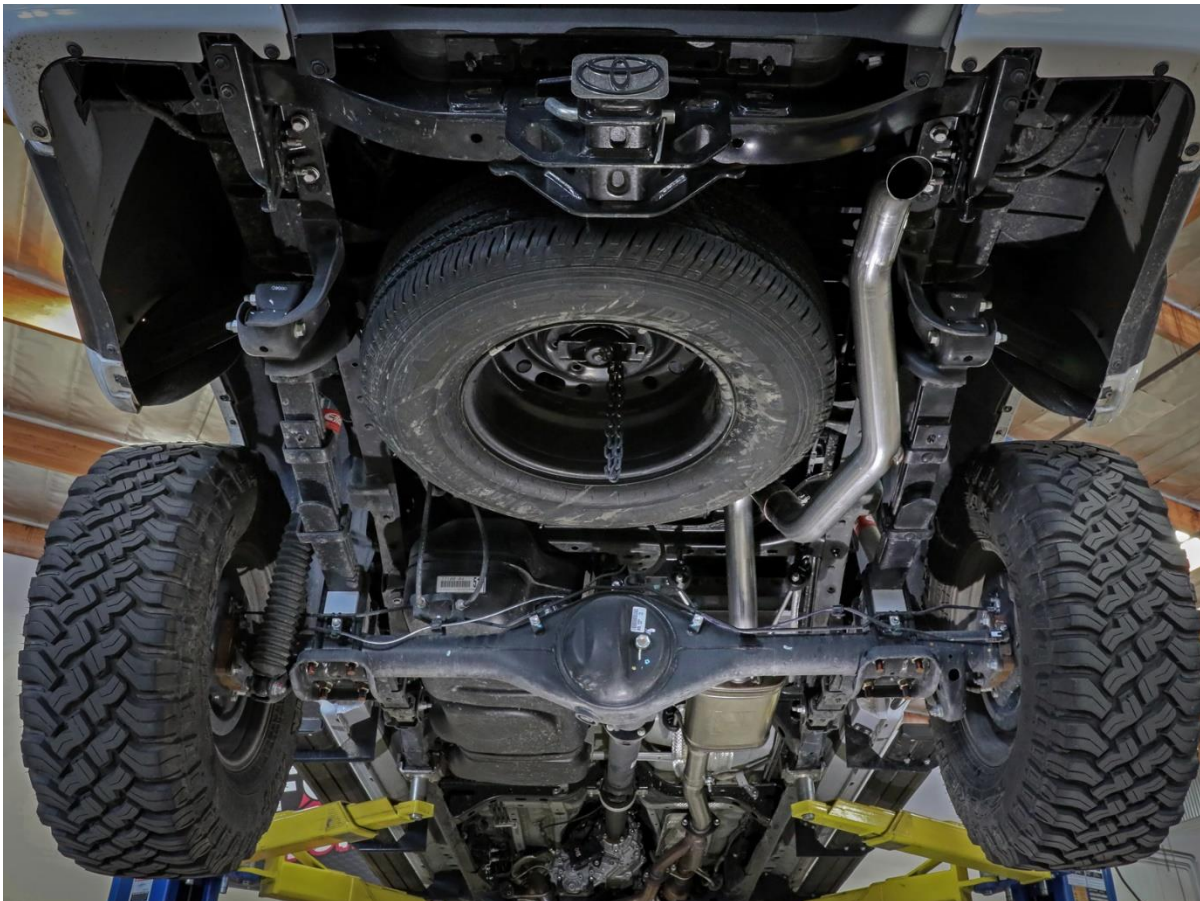


Item	Description	Part Number	Quantity
1	Over-Axle Pipe	05-244465	1
2	Tailpipe Assembly	05-144233	1
3	Clamp, Band: 2-1/2"	05-41061	2

aFe POWER recommends professional installation on this product. Thoroughly inspect the aFe POWER exhaust system to make sure there is no damage from shipping (if damage is noted, immediately contact aFe POWER customer service). Allow time for your vehicle to cool down prior to installation. When working on your vehicle proceed with caution. Wear protective safety equipment; eye goggles and gloves to ensure a safe installation.

Install band clamps to proper torque specifications of 40-45 ft-lb.

Install V-band clamps with anti-seize lubricant and hand tighten only to torque specifications of 10-15 ft-lb.





INSTALLATION INSTRUCTIONS

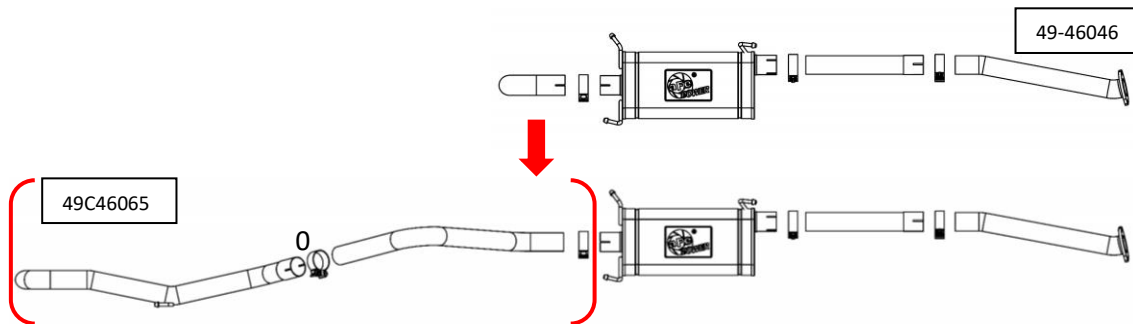
Exhaust Tailpipe Upgrade

MAKE: Toyota
MODEL: Tacoma
YEAR: 16-23
ENGINE: V6-3.5L/L4-2.7L

49C46065

NOTE: Only Compatible With 49-46046

1. **(Read instructions prior to installation.)** It is recommended to not fully tighten the exhaust until it has been fully installed. Leave loose for adjustability.
2. Secure vehicle on jack stands (refer to your manual for specified jack stand positions).
3. For faster installation, spread out the parts of the exhaust alongside your vehicle as shown in the diagram above.
4. Secure the stock exhaust with jack/stands.
5. Untighten the 2.5" Band Clamp and slide out the aFe Polished Turn Down Tip.
6. Slide the aFe Over-Axle Pipe into the aFe Muffler Assembly and secure with provided 2.5" Band Clamp.
7. Slide the aFe Tailpipe Assembly into the aFe Over-Axle Pipe and secure with the provided 2.5" Band Clamp. Slide Hanger into O.E. Rubber Mount Isolators.



8. Ensure that all the components of the aFe POWER exhaust system are aligned and are at a safe clearance from all wires, hoses, brake lines, body parts, and tires.
9. Start from the front of the aFe exhaust system and evenly tighten all clamps and fasteners.
10. Start the vehicle and check for any leaks. If any leaks are found, determine cause and repair as necessary.
11. Remove vehicle from jacks stands.
12. It is recommended to re-tighten all clamps and hardware after 50-100 miles.