



Ford Super Duty Dual Steering Stabilizer Kit

KRFDSS05/KRFDSS05S

Removal:

Step 1 - Park on a level surface and chock rear tires. Raise the front of the truck and support the axle with jack stands.

Step 2 - Remove factory stabilizer.

Installation:

Step 1 - Position the center bracket on the axle (pushed up against the differential housing) with the mounting location oriented under the tie rod. Install the provided U-bolts, washers, and nuts, and adjust the bracket until it is level and centered. Leave the hardware loose at this stage for final adjustment.

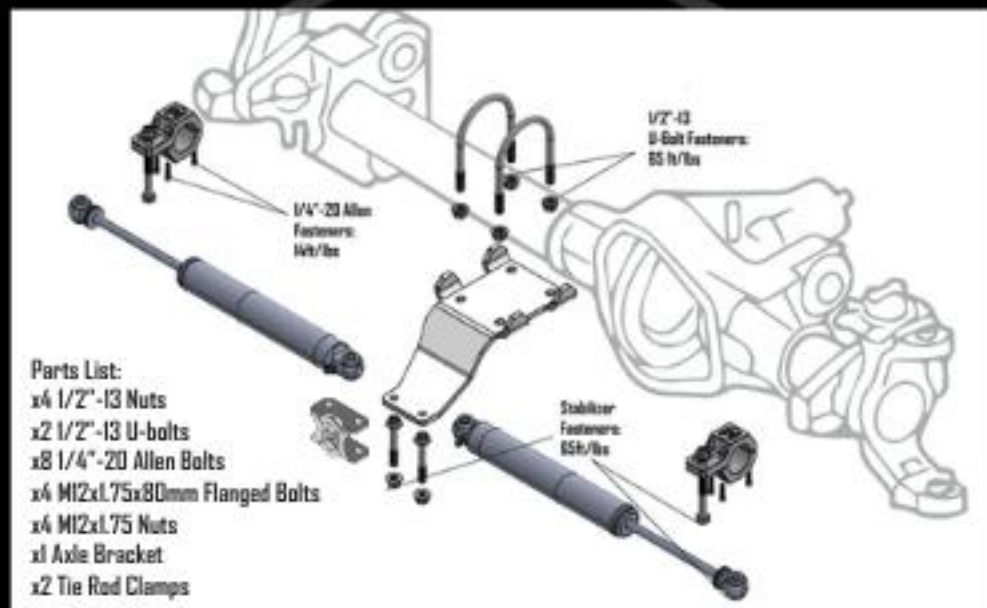
Step 2 - Install the tie rod clamps onto the tie rod with the mounting tabs facing toward the front of the vehicle. Secure the clamps using the supplied hardware, but do not fully tighten to allow for adjustment.

Step 3 - Mount the stabilizers to the center bracket using the supplied hardware. Orient the stabilizer bodies inward with the shafts facing toward the tires. The center nameplate will capture both the stabilizer ends and the center bracket. Leave all hardware slightly loose.



Step 4 - Turn the steering wheel fully from lock to lock to verify proper clearance and operation. Ensure the stabilizers do not bottom out or overextend at either extreme, and adjust the clamp positions as necessary to achieve equal travel.

Step 5 - Once proper alignment is confirmed, tighten all hardware to the appropriate torque specifications. Recheck all mounting points to ensure everything is secure. (Torque diagram on reverse side of this page.)



⚠ IMPORTANT SAFETY & LEGAL INFORMATION

Installation should be performed by a qualified technician. Improper installation may result in vehicle damage, loss of control, serious injury, or death.

Always support the vehicle securely with jack stands. Never rely on a jack alone.

Verify all components are installed correctly and torqued to specification before operating the vehicle.

After installation, inspect suspension and steering components and check for proper clearance through full travel.

Re-torque all hardware after initial use and periodically thereafter.

User assumes all responsibility for compliance with local laws.

Manufacturer is not responsible for damage or injury resulting from improper installation, misuse, or modification.

By installing this product, the user accepts all risk and liability associated with its use.