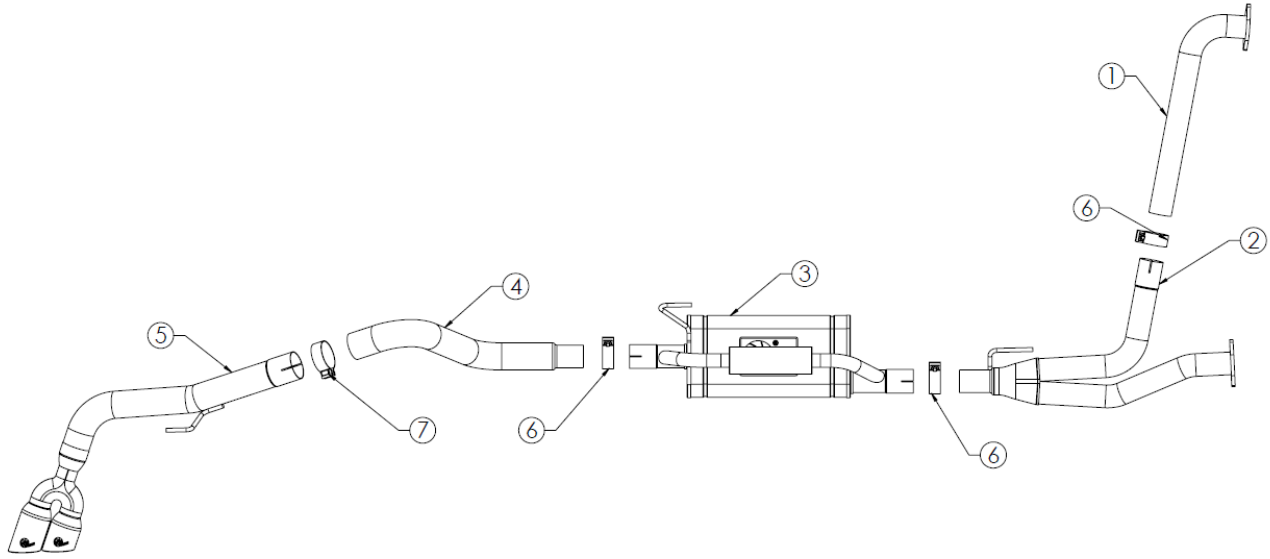




INSTALLATION INSTRUCTIONS

MAKE: Nissan
MODEL: Frontier
YEAR: 2022-2026
ENGINE: V6-3.8L

Cat-Back Exhaust
 49-36140-B (Black Tip)
 49-36140-P (Polished Tip)
 Note: Fits 125.9" Wheelbase
 Excludes Crew Cab Long Bed



Item	Description	Part Number	Quantity
1	S/A Front Pipe	05-245633	1
2	S/A Y-Pipe	05-245634	1
3	S/A Muffler Assy.	05-245638	1
4	S/A Over Axle	05-245635	1
5	S/A Tailpipe-B	05-245636-B	1
	S/A Tailpipe-P	05-245636-P	1
6	Clamp, Band: 2-1/2"	05-41061	2
7	Clamp, Band: 3"	05-41055	1

aFe POWER recommends professional installation on this product. Thoroughly inspect the aFe POWER exhaust system to make sure there is no damage from shipping (if damage is noted, immediately contact aFe POWER customer service). Allow time for your vehicle to cool down prior to installation. When working on your vehicle proceed with caution. Wear protective safety equipment; eye goggles and gloves to ensure a safe installation.

Install band clamps to proper torque specifications of 40-45 ft-lb.





INSTALLATION INSTRUCTIONS

MAKE: Nissan
MODEL: Frontier
YEAR: 2022-2026
ENGINE: V6-3.8L

Cat-Back Exhaust
49-36140-B (Black Tip)
49-36140-P (Polished Tip)
Note: Fits 125.9" Wheelbase
Excludes Crew Cab Long Bed

1. **(Read instructions prior to installation.)** It is recommended to not fully tighten the exhaust until it has been fully installed. Leave loose for adjustability.
2. Secure vehicle on jack stands (refer to your manual for specified jack stand positions).
3. For faster installation, spread out the parts of the exhaust alongside your vehicle as shown in the diagram above.
4. Secure the stock exhaust with jack/stands.
5. Remove (x3) bolts securing tail/over axle hanger rod bracket from chassis.
6. Loosen band clamp connecting muffler to tail/over axle pipe and remove tail/over axle pipe from vehicle.
7. Unbolt (x4) from the muffler section hanger rod bracket and unbolt (x4) Flange Bolts from the muffler section.
8. Remove OE muffler section by sliding towards rear of vehicle.
9. Reinstall all hanger mount brackets using OE bolts to the chassis. Tighten bolts.
10. Install aFe Power front pipe. (Leave nuts loose at this time.)
11. Install aFe Power Y-pipe using (x2) OE nuts then then install rubber mount isolator. (Leave nuts loose at this time.)
12. Install supplied 2.5" band clamps on aFe Power muffler. Slide muffler rear hanger rod through rubber isolation mount. (Do not tighten band clamps at this time.)
13. Install supplied 2.5" band clamp onto aFe power over axle and then install rubber mount isolator.
14. Install supplied 3" band clamp onto aFe Power tail pipe and slide over aFe power over axle.
15. Ensure that all the components of the aFe POWER exhaust system are aligned and are at a safe clearance from all wires, hoses, brake lines, body parts, and tires.
16. Start from the front of the aFe exhaust system and evenly tighten all clamps and fasteners.
17. Start the vehicle and check for any leaks. If any leaks are found, determine cause and repair as necessary.
18. Remove vehicle from jacks stands.
19. It is recommended to re-tighten all clamps and hardware after 50-100 miles.