

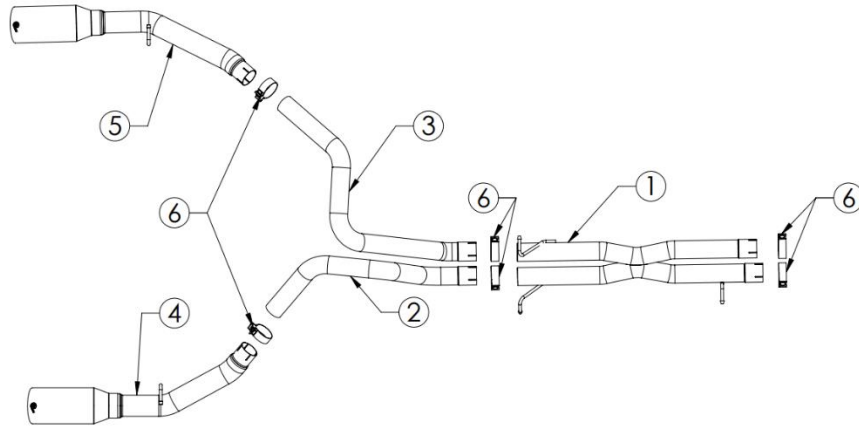


# INSTALLATION INSTRUCTIONS

Cat-Back Exhaust

49-32087-B/P

**MAKE:** RAM  
**MODEL:** 1500 RHO  
**YEAR:** 2025-2026  
**ENGINE:** I6-3.0L (tt)



Item	Description	Part Number	Quantity
1	S/A Tube, X-Pipe	05-244564	1
2	Right Over-Axle	05-245189	1
3	Left Over-Axle	05-245188	1
4	Right Tail Pipe (Polished Tip)	05-245191	1
4	Right Tail Pipe (Black Tip)	05-245191B	1
5	Left Tail Pipe (Polished Tip)	05-245190	1
5	Left Tail Pipe (Black Tip)	05-245190B	1
6	Clamp, Band: 3"	05-41055	6

aFe POWER recommends professional installation on this product. Thoroughly inspect the aFe POWER exhaust system to make sure there is no damage from shipping (if damage is noted, immediately contact aFe POWER customer service). Allow time for your vehicle to cool down prior to installation. When working on your vehicle proceed with caution. Wear protective safety equipment; eye goggles and gloves to ensure a safe installation.

Install band clamps to proper torque specifications of 40-45 ft-lb.





## INSTALLATION INSTRUCTIONS

Cat-Back Exhaust

49-32087-B/P

**MAKE:** RAM  
**MODEL:** 1500 RHO  
**YEAR:** 2025-2026  
**ENGINE:** I6-3.0L (tt)

---

1. **(Read instructions prior to installation.)** It is recommended to not fully tighten the exhaust until it has been fully installed. Leave loose for adjustability.
2. Secure vehicle on jack stands (refer to your manual for specified jack stand positions).
3. For faster installation, spread out the parts of the exhaust alongside your vehicle as shown in the diagram above.
4. Secure the stock exhaust with jack/stands.
5. To remove the OE exhaust without cutting it will be necessary to remove the spare tire and heat shield.
6. Loosen the clamps securing the passenger tail pipe to the exhaust and remove the tail pipes and tips.
7. Loosen the two clamps securing the OE muffler assembly to the OE H-Pipe and remove the muffler.
8. Slide a clamp onto the OE H-Pipe and install the aFe power X-Pipe
9. Install the Over axle tubes with the supplied clamps. Do not fully tighten, leave loose enough to allow for adjustment.
10. Install the Tailpipe/Tip assemblies using the provided clamps.
11. Adjust System for alignment and tighten all clamps.
12. Ensure that all the components of the aFe POWER exhaust system are aligned and are at a safe clearance from all wires, hoses, brake lines, body parts, and tires.
13. Start from the front of the aFe POWER exhaust system and evenly tighten all clamps and fasteners.
14. Start the vehicle and check for any leaks. If any leaks are found, determine cause and repair as necessary.
15. Remove vehicle from jacks stands.
16. It is recommended to re-tighten all clamps and hardware after 50-100 miles.