



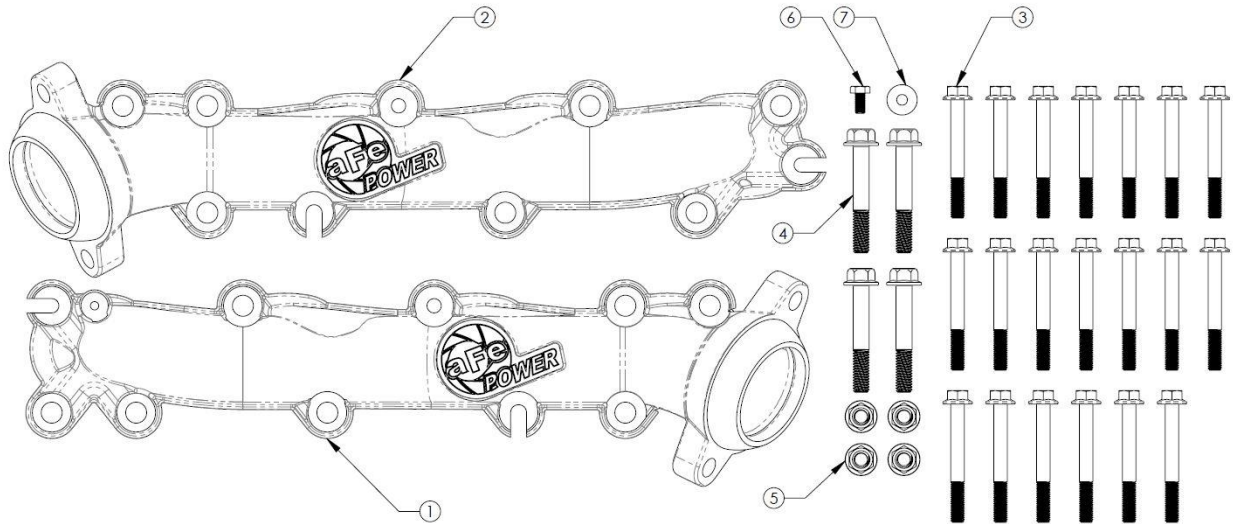
# INSTALLATION INSTRUCTIONS


Bladerunner Exhaust Manifolds

MAKE: RAM  
 MODEL: 1500 (DT)  
 YEAR: 2019-2024  
 ENGINE: V8-5.7L

46-40154

**NOTE: Does Not Fit 2019-2024 (DS) Ram Classic models**





**EMISSIONS DISCLAIMER**  
 This product is not currently CARB exempt and is not available for purchase in California or for use on any vehicle registered with the California Department of Motor Vehicles.

Item	Description	Part Number	Quantity
1	Manifold, Left, 46-40154	05-61548	1
2	Manifold, Right, 46-40154	05-61549	1
3	Screw, Hex Hd: M8x1.25x70 Gr 10.9	03-50843	20
4	Screw, Hex Flange Hd: 3/8"-16x2.5" Gr 8	03-50842	4
5	Nut, Flanged Serrated, 3/8-16 Grade 8	05-40103	4
6	Screw, Hex Hd: M6x1x12, Gr 8.8	03-50032	1
7	Washer, Flat: M6	03-50070	1

aFe POWER recommends professional installation on this product. Thoroughly inspect the aFe POWER exhaust system to make sure there is no damage from shipping (if damage is noted, immediately contact aFe POWER customer service). Allow time for your vehicle to cool down prior to installation. When working on your vehicle



## INSTALLATION INSTRUCTIONS

Bladerunner Exhaust Manifolds

**MAKE:** RAM  
**MODEL:** 1500 (DT)  
**YEAR:** 2019-2024  
**ENGINE:** V8-5.7L

46-40154

**NOTE: Does Not Fit 2019-2024 (DS) Ram Classic models**

1. **(Read instructions prior to installation.)** Secure vehicle on jack stands (refer to your manual for specified jack stand positions).
2. Disconnect the battery before starting work on the exhaust system.
3. Remove inner-Fender liners
4. Support the Y-Pipe with a suitable jack.
5. Remove the (4) 3/8" bolts on the Y-pipe to OE exhaust manifolds and lower with the jack as much as possible. Leave jack supporting y-pipe.
6. Remove (4) 6 mm nuts on right side exhaust manifold heat shield and remove heat shield.
7. Remove the exhaust manifold bolts and remove OE exhaust manifold.
8. Clean the cylinder head manifold gasket surface, make sure it is free of exhaust gasket debris.
9. Install right side aFe POWER manifold new right side header gasket (not supplied) using the supplied 8mm x 1.25 x 70mm bolts provided and tighten working from the center out.
10. Remove (4) 6 mm nuts on left side exhaust manifold heat shield and remove heat shield.
11. Remove (1) 6 mm nut on dip stick tube bracket
12. Remove the (8) exhaust manifold bolts and remove the OE exhaust manifold.
13. Clean the cylinder head manifold gasket surface, make sure it is free of exhaust gasket debris.
14. Install the Left side aFe POWER Shorty Header and new left side header gasket (not supplied) using the supplied 8mm x 1.25 x 25mm bolts provided and tighten from the center out.
15. Reinstall the dip stick tube bracket using the original supplied 6mm bolt and washer and tighten.
16. Reinstall OE Y-pipe to the aFe POWER headers using the supplied 3/8" nuts and bolts.
17. Install Fender Liners.
18. Re-connect battery.
19. It is recommended to re-tighten all nuts and bolts after 50-100 miles after driving.
20. Congratulations, your aFe POWER Shorty Headers are now installed.