

INSTALLATION MANUAL

UP-TO-DATE
MANUAL

PRODUCT: ENGINE SKID PLATE
APPLICATION: SUBARU OUTBACK (2020-Present)
PART NO: 2333.5438.1.6



CAUTION!

To reduce the risk of serious injury or damage to property: Before you start installing and using this product, read the full instructions, pay special attention to the conditions of safe use and recommendations for installation! When installing or maintaining this product, it is necessary to use protective goggles. Check the integrity of the installed components and torque all hardware every 250 miles (400 kms). Discontinue use if there is any damage to the structure or fasteners!

NOTICE

Skid plates are supplemental protection. We cannot guarantee protection against all possible damage from impacts. When driving, be careful of objects and terrain that may damage sensitive parts of the vehicle.

ENGINE SKID PLATE



Part number 2333.5438.1.6

Suited to vehicle: SUBARU OUTBACK 2.4 AT 4WD (2020-Present)

Material: Aluminum / Steel



SAFETY NOTICE

- * The RIVAL skid plate is designed to complement the use and design of the specified vehicle under conditions underlined by the vehicle manufacturer.
- * While driving the vehicle at any speed, collision with another vehicle, animal or object must always be avoided.
- * Following any collision with another vehicle, animal or object, the RIVAL skid plate and the vehicle must be inspected by a specialized or suitably qualified vehicle technician for possible damage to the components and assemblies in order to confirm suitability for further use of the vehicle.
- * It is strongly recommended that you do not operate a vehicle with a damaged skid plate or its components. In the case of damage, please contact the nearest RIVAL dealer. A damaged vehicle or skid plate is extremely dangerous and should be avoided at all cost.
- * If applicable, we recommend using a funnel when changing the oil to prevent spills and ensure a clean process.

INSTALLATION NOTICE

- * The RIVAL skid plate must be mounted to the vehicle according to this installation manual.
- * Personal safety during the installation process must be adhered to at all times.
- * Do not install this skid plate on vehicle models other than those listed in this manual.
- * We recommend using blue threadlocker on all hardware
- * Estimated time for installation: 1 hour.

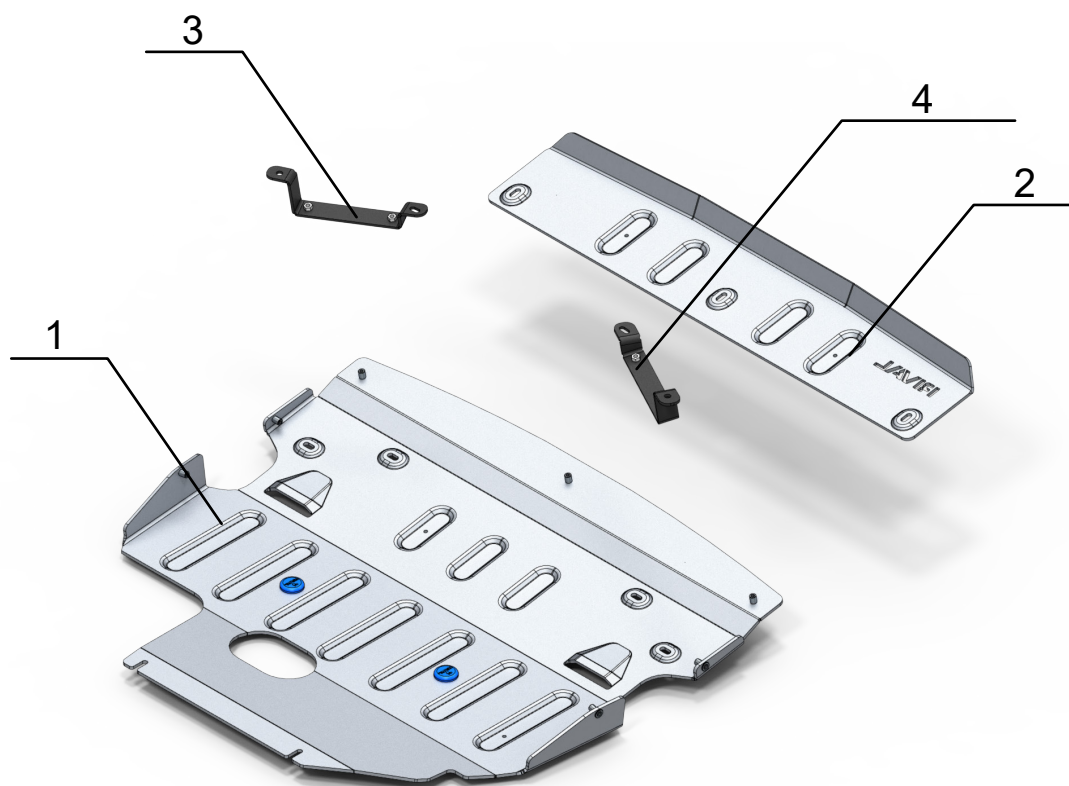
REQUIRED TOOLS

- * Basic tool kit
- * Torque wrench

TORQUE SETTING

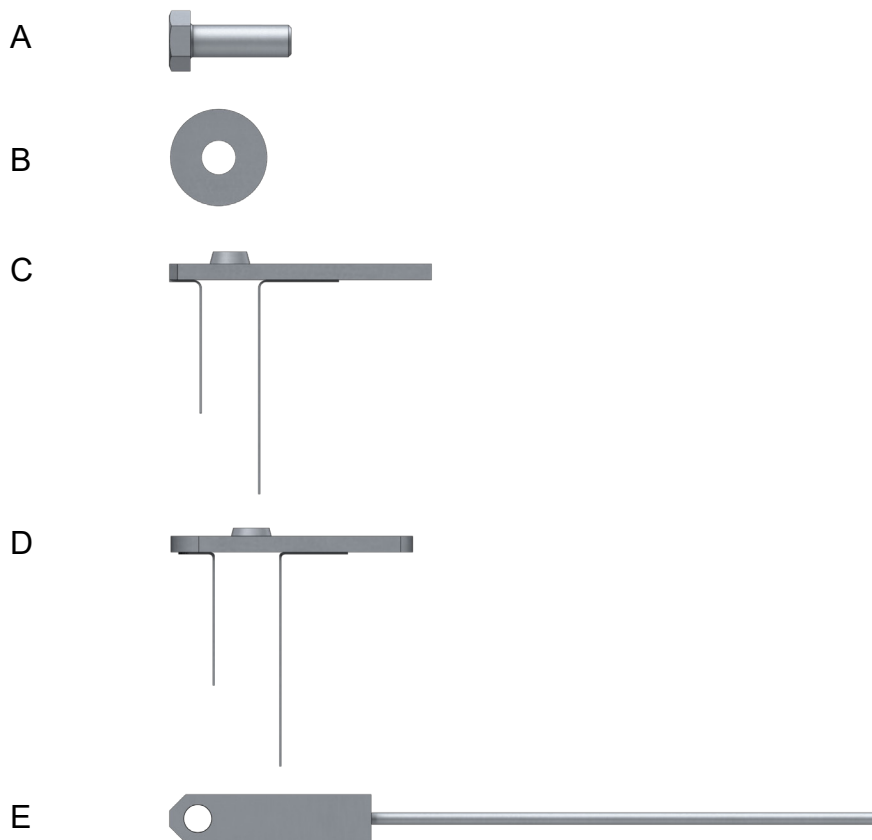
- * M8 - 24 N·m (17.7 lb/ft)

PARTS LISTING



- 1. Engine skid plate..... Qty 1
- 2. Bash plate..... Qty 1
- 3. Left bracket..... Qty 1
- 4. Right bracket..... Qty 1

PARTS LISTING



A. Bolt M8x1.25x25.....	Qty 17
B. Washer M8.....	Qty 17
C. Insert nut M8 11x65.....	Qty 2
D. Insert nut M8 14x60.....	Qty 2
E. Insert nut M8.....	Qty 2

INSTALLATION PROCEDURE



***If equipped, remove factory or any aftermarket skid plates/splash guards that might interfere with installation.**

***If available, you can re-use the factory hardware. If you do not have factory skid plate and hardware, the RIVAL kit includes everything needed for installation.**



Fig.1

1. Remove the plastic undertray as shown in Fig. 1.

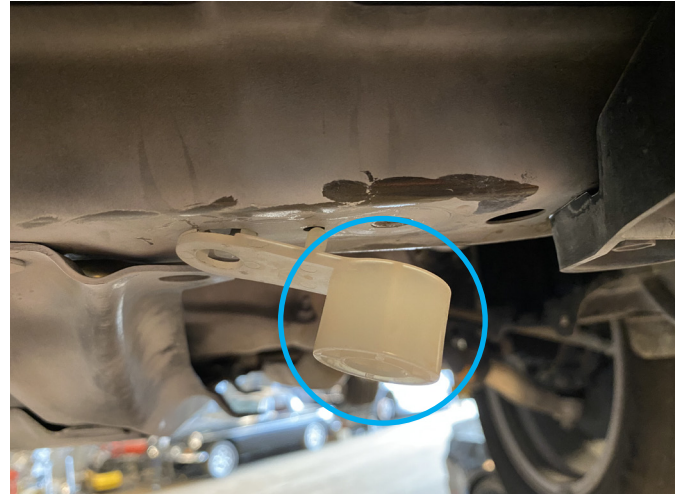


Fig.2

2. Remove the plastic plug as shown in Fig. 2.

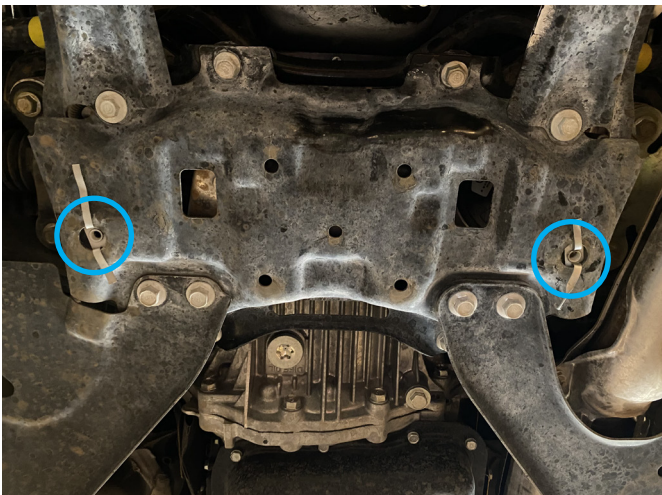


Fig.3

3. Install M8 14x60 insert nuts (Item. D) into rear mounting points on the frame as shown in Fig. 3.



Fig.4

4. Install M8 11x65 insert nuts (Item. E) into front mounting points on the frame as shown in Fig. 4.



Fig.5

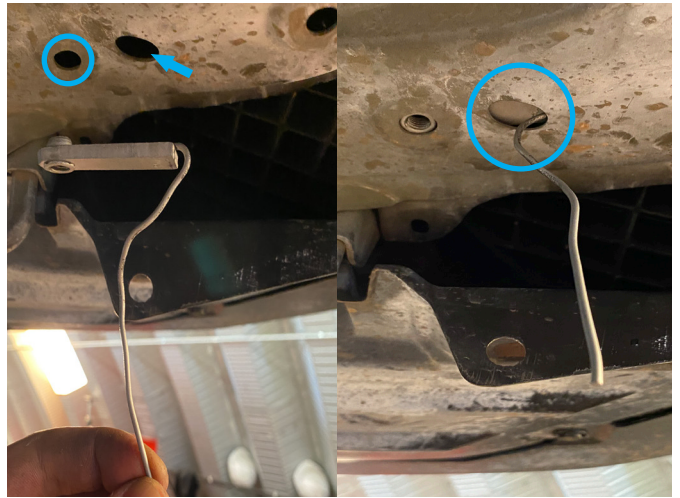


Fig.6

5. Install M8 insert nuts (Item. E) into frame as shown in Fig. 5 through holes marked in Fig. 6.

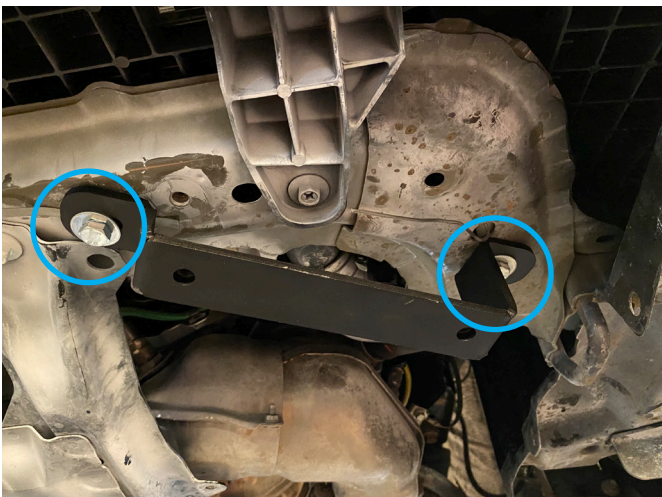


Fig.7

6. Install left bracket (Item. 3) to previously installed insert nuts (Items. D,E) using M8x25 bolts and M8 washers (Items. A,B) as shown in Fig. 7.

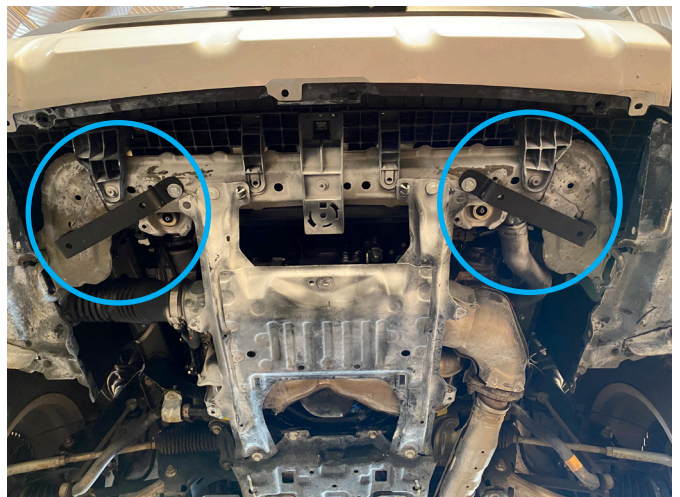


Fig.8

7. Install right bracket (Item. 4) to previously installed insert nuts (Items. D,E) using M8x25 bolts and M8 washers (Items. A,B) as shown in Fig. 8.

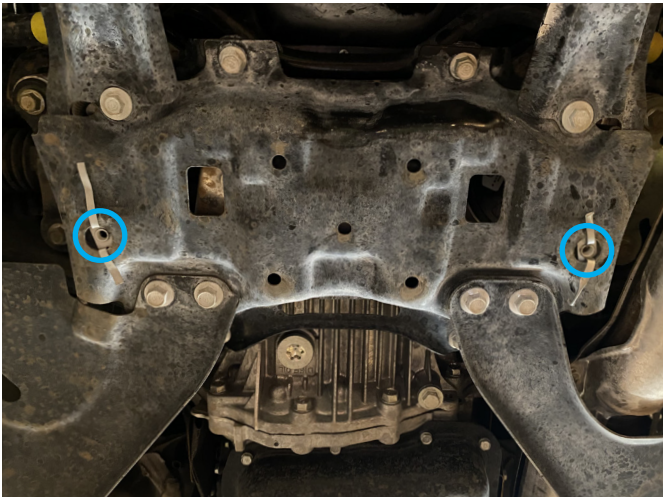


Fig.9

8. Loosely install M8x25 bolts and M8 washers (Items. A, B) to previously installed insert nuts (Item. D), as marked in Fig. 9.

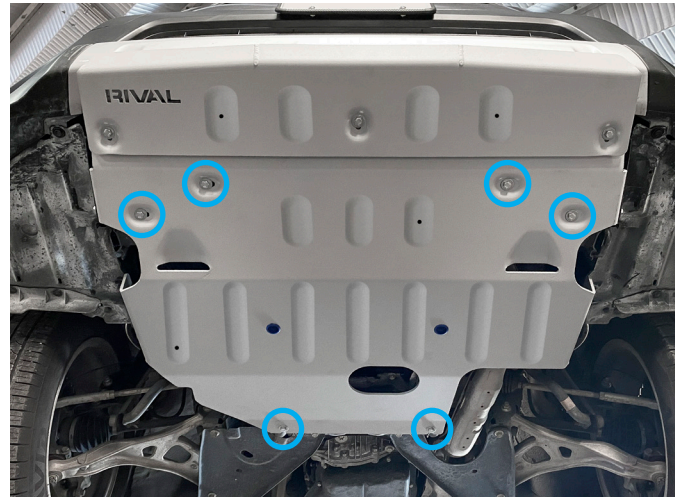


Fig.10

9. Slide rear of the skid plate over the hardware installed in step 8 and secure to previously installed brackets (Items 3,4) using M8x25 bolts and M8 washers (Items. A,B) as shown in Fig. 10.
***Do not tighten yet.**



Fig.11

10. On both sides, attach plastic guards to the nuts pre-installed in the skid plate as shown in Fig. 11.
***Do not tighten yet.**



Fig.12

11. Optional: For front bumper protection, install bash plate (Item. 2). Secure it to the engine skid plate using M8x25 bolts and M8 washers (Items. A,B) as shown in Fig. 12.
***Do not tighten yet.**

12. Check alignment of engine skid plate and bash plate then torque all hardware.

Before operating a vehicle fitted with RIVAL Skid Plates:

- Make sure all fittings are properly torqued.
- Ensure the integrity of the structure and its components.

